



Kea 5E Recreational Tent
Model No. KC072-456

PITCHING INSTRUCTIONS

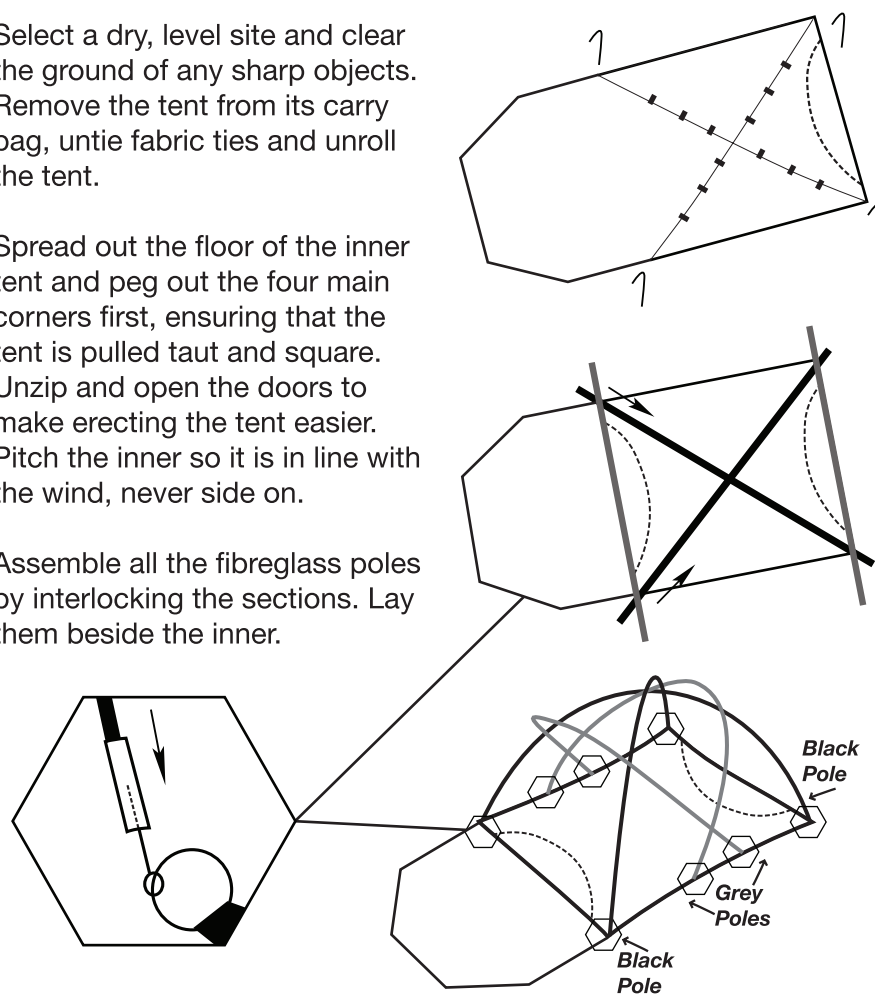
Your tent includes:

- 32 x pegs (5mm D X 230mm L)
- 12 x ropes
- 2 x BLACK fibreglass poles (5870mm x 11mm)
- 1 x BLACK fibreglass pole with ORANGE ferrules (5030mm x 9.5mm/11mm)
- 2 x GREY fibreglass poles (4990mm x 9.5mm)

1. Select a dry, level site and clear the ground of any sharp objects. Remove the tent from its carry bag, untie fabric ties and unroll the tent.

2. Spread out the floor of the inner tent and peg out the four main corners first, ensuring that the tent is pulled taut and square. Unzip and open the doors to make erecting the tent easier. Pitch the inner so it is in line with the wind, never side on.

3. Assemble all the fibreglass poles by interlocking the sections. Lay them beside the inner.



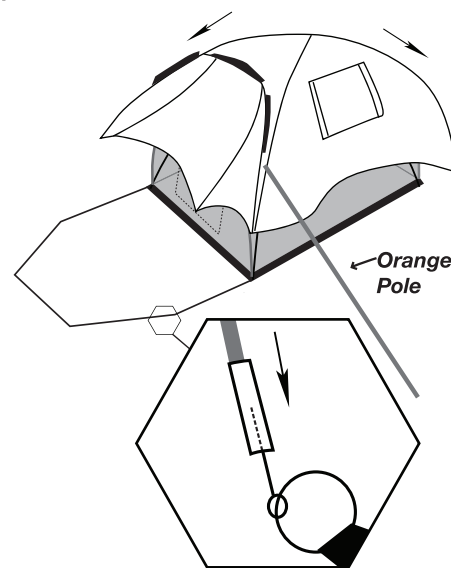
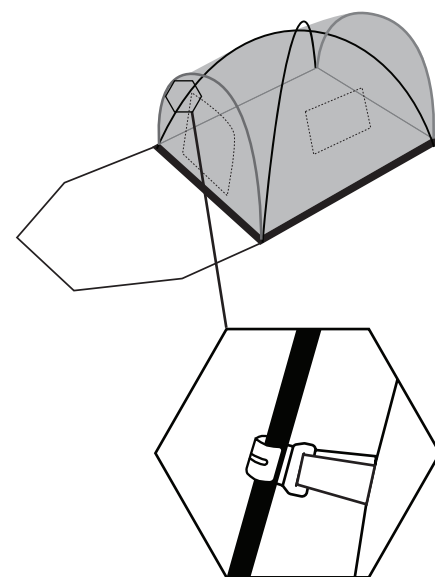
4. Thread the BLACK poles through the power mesh sleeves in the middle of the inner to form a cross. Connect one end of the first BLACK pole onto the pin fitting located on the corner of the tent, and then connect the other end of the pole to the pin fitting on the corner diagonally opposite. Clip the speed-clips to help hold the pole in place. Repeat this for the second pole so that they have created an 'X' in the middle of the tent.

5. Thread one of the GREY poles through the power mesh sleeve at the back of the tent, make sure it goes over the BLACK poles where they cross. Fit onto the pin fitting at each end. Tie the poles together with the fabric tie. Clip on all speed-clips. Repeat this for the front GREY pole.

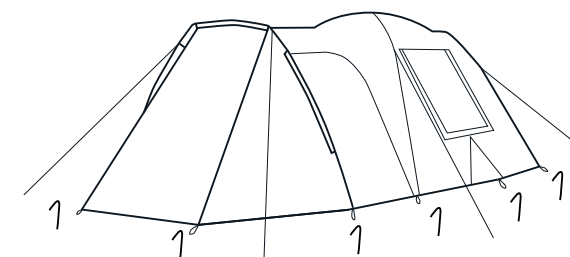
6. Peg out the vestibule floor and the rest of the inner tent.

7. Carefully pull the fly up over the inner tent with the doors lining up at front and back. Secure the hook and loop tabs on the underside of the fly around the corresponding fibreglass poles to ensure fly is on correctly. Peg out the rear of the fly.

8. Assemble the remaining ORANGE fibreglass pole and



feed through the ORANGE pole sleeve at the front of the fly. Connect each end of the pole to the remaining pin fittings on the vestibule floor. Clip the buckles on the fly to the ground sheet.



9. Peg out the vestibule with the front door closed, then continue to peg any remaining peg points on the fly.

10. Peg out at an angle the ventilation ports on each side of the tent.

11. Finally, rope out the guy ropes and fine-tune the fly so it remains



REVERSE THE PROCEDURE TO LOWER THE TENT

PACKING INSTRUCTIONS

Pack the poles and pegs into their bags. Evenly lay out the outer fly inside the tent inner leaving all doors and windows open. Fold the inner tent floor from each side to the centre and in half again. Adjust to the length of the poles. Place the poles onto the floor and roll them inside so that the floor is on the outside. Store and pack the tent in its bag.

TENT CARE INSTRUCTIONS

PLEASE READ ALL OF THE TENT CARE INFORMATION AND INSTRUCTIONS INCLUDED WITH THIS TENT BEFORE USING YOUR TENT FOR THE FIRST TIME.

1. Before you use your new tent, fully unpack and pitch it at home. It is important to familiarise yourself with the set-up procedure and the various features.
2. Select a site that is level, clear of any sharp objects, is dry, will drain well if it rains and is protected from wind and other elements.
3. Keep clear of overhead power lines and trees when setting up your tent.
4. For best and easiest results, enlist the help of at least one other person to assist in pitching the tent.
5. Keep all flame and heat sources away from this tent fabric. Do not use open flame or gas appliances in or near your tent.
6. Do not use aerosol sprays or any solvent-based products in or around your tent as these could damage the fabric or special coatings. These products include but are not limited to: repellent spray, hair sprays, alcohol, detergents, fly spray, petrol, kerosene etc.
7. Please note, the warranty on this tent will be deemed void if the product is used for any purpose other than a **temporary, recreational** use shelter.
8. Handle the tent poles carefully. When unfolding and folding the tent poles, do not allow the shock cord to pull and snap the ends together. This can damage the poles ends and result in breakage when the pole is tensioned.
9. Especially in windy conditions, it is essential that you attach guy ropes and fasten them to the ground. We suggest you insert

the pegs into the ground at a 45° angle towards the tent, not straight down. Please note, your tent will not be covered under warranty if wind damage occurs.

10. Use all of the guy ropes and pegs included to ensure your tent is secure and to prevent damage to both yourself and the tent. Check guy ropes/pegs daily.
11. Ensure there is an adequate gap between the fly and inner tent to enable ventilation and to prevent condensation build-up.
12. When closing the doors, hold the flaps up to take pressure off the zips. Ensure that the tent fabric is never overstretched, especially as this may cause problems with the internal doors.
13. To clean your tent, only ever use a soft sponge and warm water. DO NOT use excessive force or other harsh cleaners to remove marks from tent.
14. Ensure the tent is completely dry and clean before storing away and ensure to store it in a dry environment.

IMPORTANT:

1. Under certain conditions (cold weather, high humidity etc.) condensation may form on the inside of your tent fly. Condensation can occur for many reasons including vapour from your breath, perspiration, cooking nearby or wet clothing inside your tent. This does NOT mean your tent is leaking through the fabric. You can minimise condensation by opening windows and airing out your tent during the day and by removing any wet clothing/towels etc.
2. Try to avoid pitching your tent under trees as tree limbs, falling leaves, sap, bird droppings or excess water dripping from the trees can cause damage to the tent fabric and its special coatings resulting in leakage or discolouration.

3. Only remove the tent pegs by pulling on the peg itself. NEVER pull on the tent or the webbing loops to remove pegs as it could result in damage to the tent or personal injury.
4. DO NOT leave tent pitched for weeks at a time as extended exposure to the sun's ultraviolet rays can damage and/or cause it to discolour. Your tent will not be covered under warranty if you leave it up for many weeks at a time.
5. STORAGE:
NEVER store your tent wet or dirty (even for short periods of time). NEVER store your pegs or poles inside your tent. Always use the separate bags they are supplied in.
6. You may want to insure your tent against loss or damage.

WARRANTY INFORMATION

The warranty period for this tent is found on the packaging and full details are on the Kiwi Camping website - www.kiwicamping.co.nz.

Key points:

The original purchaser of this product is offered a warranty if during this time period the product fails due to a fault in either materials or workmanship. Service under this warranty is available by returning the product, with your proof of purchase, to where it was purchased. If after inspection it is determined that the product is defective, we will repair or replace it (at our discretion) free of charge. This warranty does not cover misuse, damage caused by accident, storm or wind damage, mildew, neglect, UV degradation and fair wear and tear. Please note, the warranty on this tent will be deemed void if the product is used for any purpose other than a temporary shelter. If the claim is not deemed a warranty or is outside it's warranty period, we can repair the product at a nominal cost.



Distributed by: Aber Living, Hamilton, NZ
www.kiwicamping.co.nz

5362-03/22