



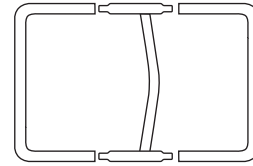
Harrier 4 Tourer Tent

Model No. KC077-032

PITCHING INSTRUCTIONS

Your tent includes:

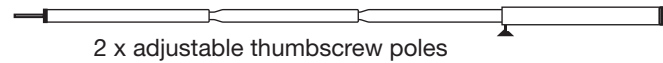
- 2 x U-shape poles
- 1 x elbow pole
- 2 x adjustable thumbscrew poles
- 2 x porch poles
- 8 x guy ropes
- 20 x pegs



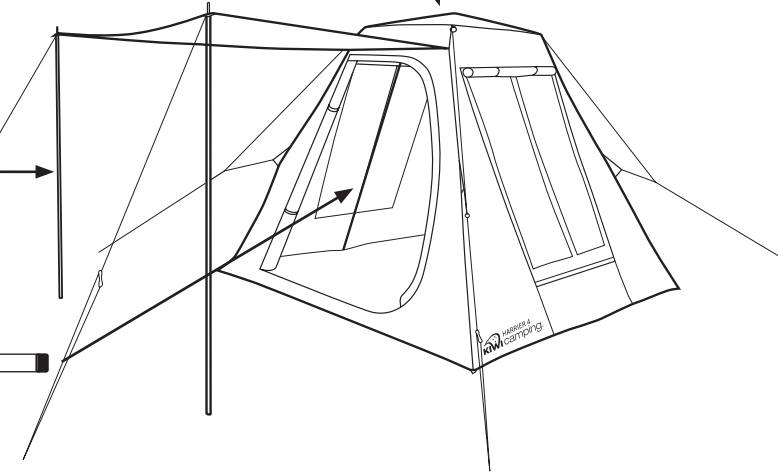
Roof Frame Poles
1 x elbow + 2 x U-shape poles



2 x porch poles



2 x adjustable thumbscrew poles



To make sure the tent stays in place insert the pegs into the ground at a 45° angle, not straight down.

1. Select a dry, level site and clear any sharp objects that may puncture the floor. Remove the tent from its carry bag, untie fabric ties and unroll the tent.
2. Peg out all four corners, ensure each side is pulled taut. Then peg out all the remaining pegging points.
3. Assemble the ROOF FRAME POLES (1 x Elbow + 2 x U-shape poles) by inserting the U-shape poles into the elbow. Ensure the metal pins lock in to place. Unzip the front door and secure assembled roof frame to inner tent roof using the 8 hook and loop tabs.

4. Assemble 2 x ADJUSTABLE THUMBSCREW POLES. If erecting alone, support the roof frame pole by inserting a porch pole into the central hole. Insert the adjustable thumbscrew pole tips into holes located at either side of the roof elbow pole, stand up one at a time. Adjust the thumbscrews to the appropriate height so the tent fabric is taut.
5. Rope out the guy ropes and fine tune the tent so it remains taut and positioned correctly.

6. Assemble 2 x PORCH POLES. To erect the porch, insert the pole tip into the eyelets located at the corners of the porch. Attach the guy ropes to the top of the pole tip and peg out on a 45° angle. For extra weather protection, move the porch poles in to the two central eyelets, attach guy ropes to the two outer eyelets and peg out with guy ropes.

REVERSE THE PROCEDURE TO LOWER TENT

TENT CARE INSTRUCTIONS

PLEASE READ ALL OF THE TENT CARE INFORMATION AND INSTRUCTIONS INCLUDED WITH THIS TENT BEFORE USING YOUR TENT FOR THE FIRST TIME.

1. Before you use your new tent, fully unpack and pitch at home. It is important to familiarise yourself with the set up procedure and the various features.
2. Ensure you thoroughly pre-weather your tent before use to ensure the longest life for your canvas tent. See 'Precondition your Tent' Instructions.
3. Select a site that is level, clear of any sharp objects, is dry and will drain well if it rains and is protected from wind and other elements.
4. For best results, enlist the help of at least one other person to assist in pitching the tent.
5. Support frames and canvas should be pulled taut, NOT over-stressed.
6. Never pull the pegs out using the canvas. Always use a tent peg remover or claw hammer.
7. Please note, the warranty on this tent will be deemed void if the product is used for any purpose other than a temporary shelter.
8. Keep clear of overhead power lines and trees when setting up your tent.
9. Do not leave the tent exposed to direct sunlight for extended periods. UV light is one of the most damaging elements for your tent.
10. Your tent is ventilated for all normal conditions, however condensation may occur in certain circumstances such as being totally closed off in wet or humid conditions. If this does occur, thoroughly air the tent at the first opportunity.
11. Make sure when closing doors that you hold the flaps up to take pressure off the zips. Ensure that the tent is never over stretched, especially as this may cause problems with the doors.
12. Never store your tent away damp and ensure it is stored in a well-ventilated area, preferably off the floor. Should mildew spots appear, brush them off before they become attached. Mildew damage of any kind is not covered by our guarantee. DO NOT use excess force or other harsh tools to remove soilage from tent.
13. Like all assets canvas tents require regular care and attention to give the life and service expected. Regular cleaning with an abundance of clean water and a soft brush, especially after exposure to salt water will preserve

your tent's life. Do not allow bird droppings, earth or vegetable matter to remain in contact with the fabric. NEVER USE SOAPS OR DETERGENTS.

14. Tents are not fire proof, if exposed to flame or high heat sources they can ignite and burn. Always take care when using spirit or gas appliances such as stoves and lanterns near your tent.
15. Some of these products contain chemicals, which can destroy your tents proofing and cause it to leak. Avoid using aerosol sprays and keep petrol, oil, solvents and other similar fluids away from the fabric. Do not use these inside or around your tent as any damage caused by these is not covered by our guarantee.
16. Always remember that your tent is made from cloth, and should not be compared with a house. It is waterproof under normal conditions but in severe weather conditions some water may penetrate. If you apply water proofing to your tent check that you are applying the right one for your tent's canvas type.
17. Make sure your tent is pitched properly and keep a close eye on the weather, as we have no control over how and where the tent is used or pitched. Extra pegs and ropes are recommended in stormy conditions. Please note, wind damage is not covered by our guarantee. Check and adjust guy ropes and pegs daily.
18. Tent fabrics are not 100% colourfast and some fading will occur naturally, however; this does not affect the performance of the fabric. Do not leave your tent up and unattended for extended periods of time. Tents are not designed as permanent dwellings. Tents are guaranteed for normal camping use only.

PRECONDITION YOUR TENT

You must pre-condition your tent properly at home before going on holiday for the first time. Here you can take your time and discover the little things, which will make the job easier when you arrive at your destination.

THERE ARE TWO STEPS TO THE PRE-WEATHERING PROCESS.

1. The entire soaking of the tent: this needs to be done to set the fabric, seams and seal the needle holes in the polycotton canvas. If this is not done, your new tent may leak and may continue to do so until conditioning has occurred. While your tent is pitched at

home, leave it to weather in continuous rain or thoroughly saturate your tent with a garden hose and allow to dry, then repeat the process several more times. Rain is the preferred option as sometimes the hose may not wet the fabric enough and you will still get some leakage.

2. Drying out in the sun: this important step swells the cotton thread and shrinks the canvas around it forming a water tight seal. This water tight seal will last the life of the tent. If it is a hot day, it will slow the weathering process so you may need to do this several times. While the tent is drying ensure that it is pitched firmly to control any initial shrinkage.

This early weathering process is a very important step as it sets up your tent for the remainder of it's life. Remember, you can never over pre-condition your tent!

IMPORTANT

1. STORAGE:
NEVER store your tent wet or dirty (even for short periods of time). NEVER store your pegs or poles inside your tent. Always use the separate bags they are supplied in.
2. You may want to insure your tent against loss or damage.

WARRANTY INFORMATION

The warranty period for this tent is found on the packaging and full details are on the Kiwi Camping website - www.kiwicamping.co.nz.

Key points

The original purchaser of this product is offered a warranty if during this time period the product fails due to a fault in either materials or workmanship. Service under this warranty is available by returning the product, with your proof of purchase, to where it was purchased. If after inspection it is determined that the product is defective, we will repair or replace it (at our discretion) free of charge. This warranty does not cover misuse, damage caused by accident, storm or wind damage, mildew, neglect, UV degradation and fair wear and tear. Please note, the warranty on this tent will be deemed void if the product is used for any purpose other than a temporary shelter. If the claim is not deemed a warranty or is outside it's warranty period, we can repair the product at a nominal cost.



Distributed by: Aber Living, Hamilton, NZ

www.kiwicamping.co.nz

5240-03/21