



Savanna 3.5 Air Shelter

Model No. KC074-827

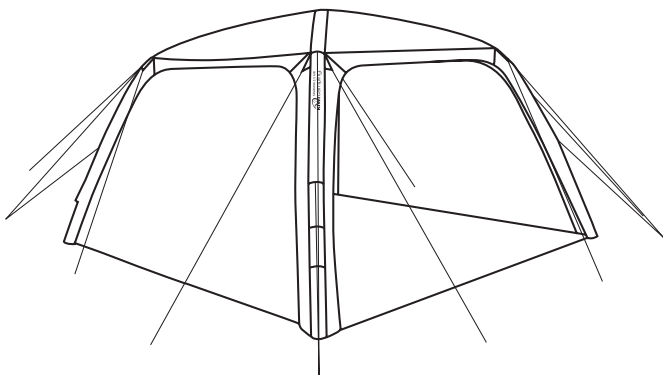
PITCHING INSTRUCTIONS

Your Shelter includes:

26 x pegs (6mm D x 250mm L)

12 x ropes

1 x hand pump



1. Select a dry, level site and clear the ground of any sharp objects. Remove the shelter from its carry bag, untie fabric ties and unroll the shelter.

2. Spread out the shelter. The webbing straps will stop the corners from 'splaying' out when the shelter is inflated.

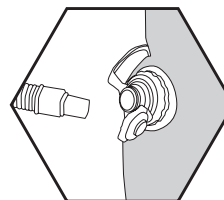
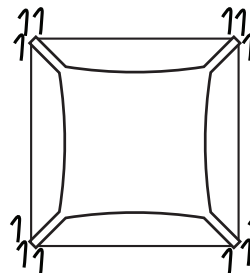
3. Peg out the four corners checking that the shelter is taut and square.

4. Attach the pressure restrictor to the hand pump. Screw the valve into the air tube and then unscrew the valve cap on the top. Insert the pump hose into the valve and inflate. You may need to help the air tube stand up to inflate evenly. Make sure you only inflate to the recommended pressure (7psi), as overinflation can lead to air tube damage. The hand pump nozzle should pop off when the correct pressure is reached.

5. Rope out the guy ropes on all sides to hold the shelter in place.

6. Attach the curtains using the toggles and secure the pegging point.

This air shelter is designed for short stays - overnight camps and day trips. Due to the airframe design it is not suited for long camping periods.



PACKING INSTRUCTIONS

Release all guy ropes. Unscrew the air tube valve caps to release the air in the air tubes. Ensure all the air escapes. Once deflated, remove all of the pegs. Fold the tent in half so that the air tubes lay on top of each other. Ensure that the air valves are not obstructed to allow the remaining air to escape. Force out the remaining air by pressing down on the air tubes, working toward the air valve from the furthest point. To reduce the chance of valve malfunction, unscrew the valves fully while the product is in storage.

Ensure the tent is completely dry and clean before storing away and store it in a dry environment.

SHELTER CARE INSTRUCTIONS

PLEASE READ ALL OF THE SHELTER CARE INFORMATION AND INSTRUCTIONS INCLUDED WITH THIS SHELTER BEFORE USING YOUR SHELTER FOR THE FIRST TIME.

1. Before you use your new shelter, fully unpack and pitch it at home. It is important to familiarise yourself with the setup procedure and the various features.
2. Select a site that is level, clear of any sharp objects, is dry, will drain well if it rains and is protected from wind and other elements.
3. Keep clear of overhead power lines and trees when setting up your shelter.
4. For best and easiest results, enlist the help of at least one other person to assist in pitching the shelter.
5. Keep all flame and heat sources away from the fabric. Do not use an open flame or gas appliances in or near your shelter.
6. Do not use aerosol sprays or any solvent-based products in or around your shelter, as these could damage the fabric or special coatings. These products include but are not limited to: repellent spray, hair sprays, alcohol, detergents, fly spray, petrol, kerosene etc.
7. Please note, the warranty on this shelter will be deemed void if the product is used for any purpose other than a temporary, recreational use shelter.
8. Especially in windy conditions, it is essential that you attach guy ropes and fasten them to the ground. We suggest you insert the pegs into the ground at a 45° angle towards the shelter, not straight down. Please note, your shelter will not be covered under warranty if wind damage occurs.
9. Use all of the guy ropes and pegs included to ensure your shelter is secure and to prevent damage to both yourself and the shelter. Check guy ropes/pegs daily.
10. To clean your shelter, only use a soft sponge and warm water. DO NOT use excessive force or other harsh cleaners to remove marks from shelter.
11. Ensure the shelter is completely dry and clean before storing away and ensure to store it in a dry environment
12. Please note that the valves used on this product rely on a good air seal which can fail and become ineffective if left under compression whilst in storage. To reduce the chance of valve malfunction, fully unscrew the valves while the product is in storage.

13. Punctured air tubes can be repaired using Tear Aid B. For information on how to repair a puncture, see the Kiwi Camping YouTube video ***Kiwi Camping Air Tube Repair Tutorial***. Spare air tubes are available to purchase from your stockist.
14. The Savanna 3.5 Air has a one-way valve system between air tubes. If either of the two smaller air tubes deflate, ensure the valves that attach to the main air tube are connected correctly and have screwed on tightly.
15. To repair one of the smaller air tubes, unscrew the black plastic cap anti-clockwise until it releases from the main tube. Repair the air tube following instructions in Step 13. When repaired, replace the air tube and ensure the zip is closed and fastened. Reattach the air tube by screwing the black plastic cap clockwise to the main air tube. The air from the main air tube will inflate the smaller air tube. Top up air using the hand pump. To repair the main air tube, deflate the shelter completely to access the damaged air tube.
16. Changing atmospheric conditions can make the air tubes appear to lose or gain pressure. This is commonly caused by rising or lowering ambient temperature. Should this occur, the air tube will simply require either a top-up or release of excess pressure. We recommend occasionally checking the pressure throughout the day to ensure it is the correct psi. It should NOT be considered a sign of leakage or puncture. However, where leakage is suspected, you should first inspect the valve to ensure that no parts are cross-threaded and that the air seals are in good condition and tight. Removing a valve and then re-fitting and re-inflating may help.

IMPORTANT:

1. Under certain conditions (cold weather, high humidity etc.) condensation may form on the inside of your tent fly. Condensation can occur for many reasons including vapour from your breath, perspiration, cooking nearby or wet clothing inside your tent. This does NOT mean your tent is leaking through the fabric. You can minimise condensation by opening windows and airing out your tent during the day and by removing any wet clothing/towels etc.
2. Try to avoid pitching your tent under trees as tree limbs, falling leaves, sap, bird droppings or excess water dripping from the trees can cause damage to the tent fabric and its special coatings resulting in leakage or discolouration.

3. Only remove pegs by pulling on the peg itself. NEVER pull on the tent or the webbing loops to remove pegs as it could result in damage to the tent or personal injury.
4. DO NOT leave the shelter pitched for weeks at a time as extended exposure to the sun's ultraviolet rays can damage and/or cause it to discolour. Your tent will not be covered under warranty if you leave it up for many weeks at a time.
5. STORAGE:
NEVER store your shelter wet or dirty (even for short periods of time). ALWAYS store your pegs and poles use the separate bags they are supplied in.
6. You may want to insure your shelter against loss or damage.

WARRANTY INFORMATION

The warranty period for this tent is found on the packaging and full details are on the Kiwi Camping website - www.kiwicamping.co.nz.

Key points

The original purchaser of this product is offered a warranty if during this time period the product fails due to a fault in either materials or workmanship. Service under this warranty is available by returning the product, with your proof of purchase, to where it was purchased. If after inspection it is determined that the product is defective, we will repair or replace it (at our discretion) free of charge. This warranty does not cover misuse, damage caused by accident, storm or wind damage, mildew, neglect, UV degradation and fair wear and tear. Please note, the warranty on this tent will be deemed void if the product is used for any purpose other than a temporary shelter. If the claim is not deemed a warranty or is outside its warranty period, we can repair the product at a nominal cost.



Distributed by: Aber Living, Hamilton, NZ
www.kiwicamping.co.nz

5373-06/22