

OPERATING INSTRUCTIONS AND OWNER'S MANUAL



PORTABLE BUDDY RADIANT HEATER

Model #

MH9BX

READ INSTRUCTIONS CAREFULLY: Read and follow all instructions. Place instructions in a safe place for future reference. Do not allow anyone who has not read these instructions to assemble, light, adjust or operate the heater.

PORTABLE PROPANE HEATER
FOR RECREATIONAL,
COMMERCIAL AND
EMERGENCY INDOOR USE

FOR US SALE EXCEPT
MASSACHUSETTS

**Use only Mr. Heater branded accessories
(See page 8 for WARNING information)**

LANGUAGES INCLUDED:

- ENGLISH
- SPANISH



WARNING: If the information in this manual is not followed exactly, a fire or explosion may result causing property damage, personal injury or loss of life.

- Do not store or use gasoline or other flammable vapors and liquids in the vicinity of this or any other appliance.
- An LP cylinder not connected for use shall not be stored in the vicinity of this or any other appliance.
- WHAT TO DO IF YOU SMELL GAS
 - Do not try to light appliance.
 - Extinguish any open flame.
 - Shut off gas to appliance.
- Service must be performed by a qualified service agency.

This is an unvented gas-fired portable heater. It uses air (oxygen) from the area in which it is used. Adequate combustion and ventilation air must be provided. Refer to page 3.

WARNING:

⚠ Every time hose or tank is connected to unit, connection must be checked for leaks in one or more ways: Apply soapy water to connection, look for bubbles, listen for hiss of escaping gas, feel for extreme cold, smell for rotten egg odor. Do not use if leaking!

WARNING:

⚠ Any changes to this heater or its controls can be dangerous.

WARNING:

⚠ Early signs of carbon monoxide poisoning resemble the flu, with headache, dizziness and/or nausea. If you have these signs, heater may not be working properly. Get fresh air at once! Have heater serviced.

WARNING:

⚠ If the recreational or commercial enclosure does not have a window or roof vent, DO NOT USE THIS HEATER INSIDE.

THE STATE OF CALIFORNIA REQUIRES THE FOLLOWING WARNINGS:

WARNING: Combustion by-products produced when using this product contain carbon monoxide, a chemical known to the State of California to cause cancer and birth defects (or other reproductive harm).

WARNING: This product contains chemicals known to the State of California to cause cancer and birth defects or other reproductive harm.

NOTICE: Not for use in a "dwelling home" in California.

CONTENTS

General Safety Instructions	2
Odor Fade Warning	3
General Information.....	4
Operating with Disposable Propane Cylinders	4
Operating With Hose Connected to Remote Cylinder	5
Maintenance.....	5
Troubleshooting	6
Parts List.....	7
Parts Ordering Information	8
Service Information.....	8

SPECIFICATIONS

MODEL NO.	MH9BX
GAS TYPE.....	PROPANE
INPUT BTU/HR.....	4,000 / 9,000
CLEARANCE TO COMBUSTIBLES	
TOP	30"
FRONT	24"
SIDES	6"
REAR	0"

Caution:

- When operating the heater at altitudes over 7,000 FT above sea level the heater may shut off. (Please read the GENERAL INFORMATION)
- Some carpets or linoleum surfaces may discolor if heater is placed directly on these floor coverings.

GENERAL SAFETY INSTRUCTIONS

THIS IS A HEATING APPLIANCE. DO NOT OPERATE THIS APPLIANCE WITHOUT THE FRONT WIRE GUARD INSTALLED. DO NOT ATTEMPT TO WARM OR COOK FOOD ON THIS HEATER.

- Do not use non-approved attachments on this heater.
- Due to high temperatures, the appliance should be located out of traffic and away from combustible materials. (See Specifications on page 2.)
- Children and adults should be alerted to the hazard of high surface temperatures and should stay away to avoid burns or clothing ignition.
- Young children should be carefully supervised when they are near the appliance.
- Do not place clothing or other flammable material on or near the appliance.
- Do not operate heater in any moving vehicle.
- This heater can also be used in a recreational or commercial enclosure with a window or roof vent. It may also be used outdoors.
- This heater requires a vent area of 9 square inches (example 3" x 3" opening) minimum for adequate ventilation during operation. Do not use other fuel burning appliances inside.
- GAS PRESSURE AT HEATER IS REGULATED AND FIXED AT 11" W.C. WHEN USING A REMOTE HOSE CONNECTION DO NOT REGULATE OR REDUCE PROPANE TANK SUPPLY PRESSURE TO HEATER!
- REGULATOR IN HEATER MUST ALWAYS BE IN PLACE DURING OPERATION.
- If the wire guard is removed for servicing, it must be replaced prior to operating the heater.

- The appliance should be inspected before each use. Frequent cleaning may be required. The control compartments, burner and circulating air passageways of the appliance must be kept clean, see MAINTENANCE.
- DO NOT use this heater if any part has been under water. Immediately call a qualified service technician to inspect the heater and to replace any part of the control system and any gas control, which has been under water.
- When used without adequate combustion and ventilation air, this heater may give off excessive CARBON MONOXIDE, an odorless, poisonous gas.
- Some people - pregnant women, persons with heart or lung disease, anemia, those under the influence of alcohol, those at high altitudes - are more affected by carbon monoxide than others.
- When heater is placed on the ground, make sure the ground is level and keep any objects at least 24 inches from the front of the heater. THIS HEATER IS EQUIPPED WITH A TIP OVER SWITCH THAT WILL SHUT THE HEATER OFF IF THE HEATER TIPS OVER HOWEVER, DO NOT LEAVE HEATER UNATTENDED OR WHERE CHILDREN MAY CAUSE THE HEATER TO TIP OVER. NEVER OPERATE THE HEATER WHILE SLEEPING!

ODOR FADE WARNING

WARNING



Asphyxiation Hazard

- Do not use in unventilated areas.
- The flow of combustion and ventilation air must not be obstructed.
- Proper ventilation air must be provided to support the combustion air requirements of the heater being used.
- Refer to the specification section of the heater's manual, heater dataplate, or contact the factory to determine combustion air ventilation requirements of the heater.
- Lack of proper ventilation air will lead to improper combustion.
- Improper combustion can lead to carbon monoxide poisoning leading to serious injury or death. Symptoms of carbon monoxide poisoning can include headaches, dizziness and difficulty in breathing.

FUEL GAS ODOR

LP gas and natural gas have man-made odorants added specifically for detection of fuel gas leaks. If a gas leak occurs you should be able to smell the fuel gas. Since Propane (LP) is heavier than air you should smell for the gas odor low to the floor. ANY GAS ODOR IS YOUR SIGNAL TO GO INTO IMMEDIATE ACTION!

- Do not take any action that could ignite the fuel gas. Do not operate any electrical switches. Do not pull any power supply or extension cords. Do not light matches or any other source of flame. Do not use your telephone.

- Get everyone out of the building and away from the area immediately.
- Close all propane (LP) gas tank or cylinder fuel supply valves, or the main fuel supply valve located at the meter if you use natural gas.
- Propane (LP) gas is heavier than air and may settle in low areas. When you have reason to suspect a propane leak, keep out of all low areas.
- Use your neighbor's phone and call your fuel gas supplier and your fire department. Do not re-enter the building or area.
- Stay out of the building and away from the area until declared safe by the firefighters and your fuel gas supplier.
- FINALLY, let the fuel gas service person and the firefighters check for escaped gas. Have them air out the building and area before you return. Properly trained service people must repair any leaks, check for further leakages, and then relight the appliance for you.

ODOR FADING - NO ODOR DETECTED

- Some people cannot smell well. Some people cannot smell the odor of the man-made chemical added to propane (LP) or natural gas. You must determine if you can smell the odorant in these fuel gases.
- Learn to recognize the odor of propane (LP) gas and natural gas. Local propane (LP) gas dealers will be more than happy to give you a scratch and sniff pamphlet. Use it to become familiar with the fuel gas odor.
- Smoking can decrease your ability to smell. Being around an odor for a period of time can affect your sensitivity to that particular odor. Odors present in animal confinement buildings can mask fuel gas odor.
- **The odorant in propane (LP) gas and natural gas is colorless and the intensity of its odor can fade under some circumstances.**
- If there is an underground leak, the movement of gas through the soil can filter the odorant.
- Propane (LP) gas odor may differ in intensity at different levels. Since Propane (LP) gas is heavier than air, there may be more odor at lower levels.
- **Always be sensitive to the slightest gas odor.** If you continue to detect any gas odor, no matter how small, treat it as a serious leak. Immediately go into action as discussed previously.

ATTENTION - CRITICAL POINTS TO REMEMBER!

- Propane (LP) gas has a distinctive odor. Learn to recognize these odors. (Reference Fuel Gas Odor and Odor Fading sections above.)
- Even If you are not property trained in the service and repair of the heater, ALWAYS be consciously aware of the odors of propane (LP) gas and natural gas.
- If you have not been properly trained in repair and service of propane (LP) gas then do not attempt to light heater, perform service or repairs, or make any adjustments to the heater on the propane (LP) gas fuel system.

- A periodic sniff test around the heater or at the heater's joints; i.e. hose, connections, etc., is a good safety practice under any conditions. If you smell even a small amount of gas, CONTACT YOUR FUEL GAS SUPPLIER IMMEDIATELY. DO NOT WAIT!

GENERAL INFORMATION:

- This heater is safe for indoor use in small recreational enclosures having means for providing combustion air and ventilation, such as enclosed porches, cabins, fishing huts, trailers, tent trailers, tents, truck caps and vans. It may be used for emergency indoor heating when connected to a disposable 1 lb. propane cylinder and for indoor use in commercial enclosures, having means for providing combustion air and ventilation, such as construction trailers or temporary work enclosures.

Note: The heater can be used outdoors, but may experience nuisance shutoffs due to certain wind conditions.

- When the heater is cold or at room temperature, it will take a few minutes for the burner tile to turn bright orange. This is normal and the heater is working properly. If burner tile is visibly flaming, turn heater off and call a qualified service technician.
- When the unit is lit, there should be about a quarter inch border around the tile that will not turn bright orange. This is normal.
- When operating the heater for the first time, the top area of the reflector may discolor. This is also normal and is no reason for concern.
- The protective grill on the front of this heater is coated with a special high-temperature resistant paint. When the heater is used for the first time, the grill may give off noticeable smoke or fumes. This is normal and will not occur during subsequent uses. The fumes are not harmful.
- **When operating the heater at altitudes over 7,000 FT. above sea level, the unit may not burn as bright as in lower altitudes. This is normal. At higher altitudes, the heater may shut off. If this happens, provide fresh air, wait 5 minutes and re-light. Due to local atmospheric conditions heater may not re-light.**
- Operating time will vary depending on the heater setting and the supply cylinder size. Up to 3 to 6 hours on a 1 lb. cylinder. Up to 48 to 110 hours on a 20 lb. cylinder (based on "HI" and "LO" settings). Due to the properties of LP gas, run times can be significantly reduced when operating continuously at temperatures below 20°F. Use of a 20 lb. tank is recommended in these conditions.
- When moving heater when lit or bumping heater setting it down, the tip over switch may shut off heater. If this happens, re-light.
- Due to natural operation of small tanks, condensation may build up on tank and drip on surface under heater.

LIGHTING / OPERATING INSTRUCTIONS FOR USE WITH DISPOSABLE 1 LB. PROPANE CYLINDERS:

WARNING: Always inspect propane cylinder and heater propane connections for damage, dirt, and debris before attaching propane cylinder. Do not use if head of cylinder is damaged, punctured or deteriorated.

ALWAYS ATTACH OR DETACH CYLINDER OUTDOORS AWAY FROM FLAMES, OTHER IGNITION SOURCES, AND ONLY WHEN HEATER IS COOL TO TOUCH. NEVER SMOKE WHEN ATTACHING OR REMOVING PROPANE CYLINDER OR MAKING REMOTE CONNECTIONS!

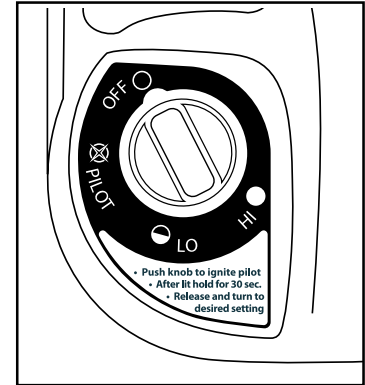


Figure 1: "Off" position.

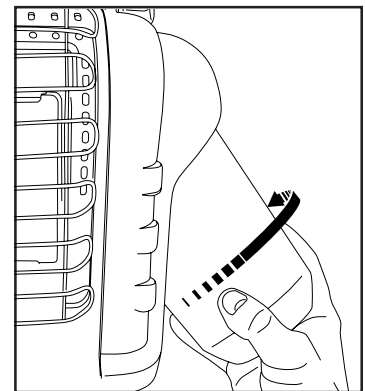


Figure 2: Attach fuel tank

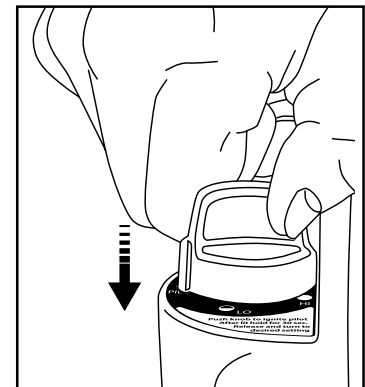


Figure 3: Ignition

- Use only LP-gas cylinders marked in accordance with the U.S. Dept. of Transportation (DOT).
- Use only 16.4 oz. (1 lb.) disposable cylinders that mate with No. 600 valve connection.
- Heater and attached cylinder must be in an upright position during operation.
- Make sure four-position Control Knob is in "OFF" position; see Figure 1.
- Swivel regulator outward for easy tank installation. Screw 1 lb. disposable LP-gas supply cylinder clockwise (from bottom) into portable heater until hand-tight; see Figure 2. DO NOT use thread sealant on this connection.
- Check cylinder connection for leaks with soapy water at the threaded connection under the domed plastic cover where the cylinder screws into the regulator. SEE WARNING! ON DOMED PLASTIC COVER.
- Turn Control Knob counterclockwise to "PILOT" position and depress to light; see Figure 3.
- If heater does not light, hold down for approximately 30 seconds; release and depress again. Repeat until pilot lights.

- After pilot lights, hold down for 30 -60 seconds and then release knob. Knob should return to fully extended position; see Figure 4. To operate heater slightly depress knob and gently turn to lock in the “HI” position to light burner tile. Leave on “HI” position until burner tile turns bright orange.

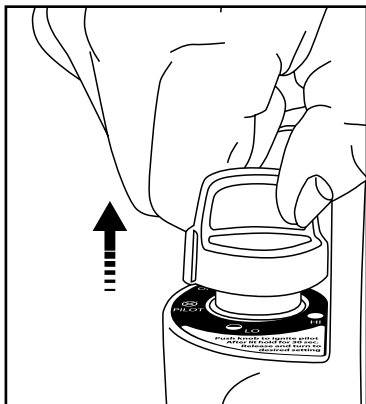


Figure 4: “Release knob.”

Warning:

⚠ DO NOT OPERATE HEATER UNLESS CONTROL KNOB IS LOCKED IN A POSITION MARKED “HI”, “LO” or “PILOT”. NEVER SET CONTROL KNOB BETWEEN LOCKED POSITIONS. POOR COMBUSTION AND HIGHER LEVELS OF CARBON MONOXIDE MAY RESULT.

- To shut off heater, slightly push down and turn Control Knob clockwise to “OFF” position.
- **CAUTION:** After turning heater off, wire guard will remain hot. Allow to thoroughly cool before storing.
- Do not operate, store or remove cylinder near flammable items or ignition sources.
- LP-GAS CYLINDERS MUST BE DISCONNECTED FROM HEATER WHEN NOT IN USE!

LIGHTING / OPERATING INSTRUCTIONS FOR USE WITH HOSE CONNECTED TO A REMOTE CYLINDER, MAXIMUM SIZE 20 LBS:

- This Heater may be used in a recreational enclosure or temporary construction work enclosure with a remote refillable propane cylinder ONLY when the cylinder is located outdoors and the Heater is used with Mr. Heater Hose No. **F273701**, **F273702** or **F272702** and fuel filter **F273699**. Fuel filter must be replaced annually. Or use **F273704** Buddy series hose. Fuel filter not required.
- **DANGER:** NEVER bring a refillable propane cylinder indoors. A fire or explosion can occur causing property damage, serious injury or death!
- Inspect the hose before each use of the heater. If there is excessive abrasion or wear, or the hose is cut, replace prior to using the heater with one of the Mr. Heater Hose No’s. shown above.
- The propane cylinder must include a listed overfilling protection device as well as a collar to protect the cylinder valve.
- Heater must be in an upright position during operation.
- Make sure four-position Control Knob is in “OFF” position; see Figure 1.
- Swivel regulator outward for easy hose installation.

Then screw hose connector into regulator on heater and screw connector on other end of hose into LP-gas supply cylinder valve. Tighten all hose connections. DO NOT use thread sealant on any of these connections.

- Mr. Heater strongly recommends using disposable fuel filter **F273699** to trap any oil substances when connected to a remote cylinder that can make heater inoperable.
- Open valve at LP-gas supply cylinder.
- Check all hose connections for leaks with soapy water at the threaded connection under the domed plastic cover where the hose connector screws into the regulator and at LP-gas supply cylinder. SEE WARNING! ON PLASTIC DOMED COVER.
- Turn Control Knob counterclockwise to “PILOT” position and depress to light; see Figure 3.
- If heater does not light, hold down for approximately 30 seconds; release and depress again. Repeat until pilot lights.
- After pilot lights, hold down for 30 -60 seconds and then release knob. Knob should return to fully extended position; see Figure 4. To operate heater slightly depress knob and gently turn to lock in the “HI” position to light burner tile. Leave on “HI” position until burner tile turns bright orange.
- After burner tile has turned bright orange, adjust heat output by turning Control Knob to desired position (“LO” or “HI” setting)

⚠ Caution: Do not try to adjust heating levels by using the propane tank shut off valve.

Warning:

⚠ DO NOT OPERATE HEATER UNLESS CONTROL KNOB IS LOCKED IN A POSITION MARKED “HI”, “LO” or “PILOT”. NEVER SET CONTROL KNOB BETWEEN LOCKED POSITIONS. POOR COMBUSTION AND HIGHER LEVELS OF CARBON MONOXIDE MAY RESULT.

- **To shut off heater, shut off propane at supply tank, allow heater to use up propane in supply line until heater shuts off, then slightly push down and turn Control Knob clockwise to “OFF” position.**
- **CAUTION:** After turning heater off, wire guard will remain hot. Allow to thoroughly cool before storing.
- When not in use, the gas must be turned off at the LP-gas supply cylinder. As stated before allow heater to use up propane in supply line until heater shuts off. When the LP-gas supply cylinder is not disconnected from the heater, the heater and the cylinder must be stored outdoors, in a well ventilated space, out of reach of children, and must not be stored in a building, garage or any other enclosed area.
- Indoor storage of the heater is permissible only if the cylinder is disconnected and removed from the heater. Cylinders must be stored outdoors out of the reach of children and must not be stored in a building, garage or any other enclosed area.

MAINTENANCE:

Always keep the heater area clear and free from combustible materials, gasoline and other flammable vapors and liquids.

Keep the vent areas (slots in the bottom and the top at the front of heater) clear at all times.

Visually inspect the pilot flame and burner periodically during use. The pilot flame should be blue in color

(not yellow) and will extend beyond the thermocouple. The flame will surround the thermocouple just below the tip, see Figure 5.

A slight yellow flame may occur where the pilot flame and main burner flame meet. The burner should be bright orange (with a slight blue color around the border, a red-orange haze that is visible on the ceramic tile is acceptable) and without a noticeable flame. A blue flame that rolls out at the top of the ceramic tile indicates an accumulation of dust, lint or spider webs inside the casing assembly and main burner assembly. If the pilot is yellow or the burner has a noticeable flame, cleaning may be required. Use the following procedure to inspect the casing assembly and main burner assembly.

It is necessary to periodically check the burner orifice and burner venturi tube to make sure they are clear of insects/nests or spider webs that may accumulate over time. A clogged tube can lead to a fire.

- 1 Allow heater to thoroughly cool before performing any maintenance.
- 2 Remove disposable 1 lb. cylinder from heater or turn OFF gas supply at remote cylinder valve, and disconnect hose from heater.
- 3 Remove (4) four screws that secure the rear cover to the Heater.
- 4 Pivot cover outward from bottom. Release from 2 top clips. Set aside.
- 5 Remove (4) four burner retaining screws and fuel line from burner assembly. Remove burner assembly from back of housing.
- 6 Inspect interior of casing assembly for accumulation of dust, lint or spider webs. If necessary, clean interior of casing assembly with a vacuum cleaner or apply air pressure. Do not damage any components within casing assembly when you are cleaning.
- 7 Inspect and clean main burner orifice (threaded into orifice holder). Orifice holder is attached to the burner assembly venturi with (2) two screws.
- 8 Inspect and clean pilot (mounted to bracket) by using a

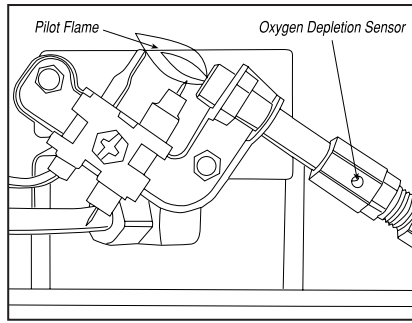


Figure 5

vacuum or apply air pressure through the holes in the pilot indicated by the arrows in Figure 5.

WARNING: Never use needles, wires, or similar cylindrical objects to clean the pilot to avoid damaging the calibrated orifice that controls the gas flow.

- 9 Apply air pressure (max. 30 psi.) into ceramic tile of burner assembly and the venturi tube (ref. item #16) to remove dust, lint or spider webs.
- 10 Reassemble main burner orifice holder onto the burner assembly.
- 11 Reinstall burner assembly into the heater housing
- 12 Reinstall fuel line and check for leaks.
- 13 Install heater back cover.

TROUBLESHOOTING INFORMATION:

If Spark electrode does not produce spark.

CHECK

- Spark electrode broken – replace ODS (Oxygen Depletion Sensor).
- Igniter wire may not be attached to spark electrode, ground wire may not be attached to frame - attach.
- Igniter wire damaged – replace.
- Piezo igniter defective – replace gas valve ass'y.

If Spark electrode produces spark but pilot does not light.

CHECK

- No gas to heater – install disposable cylinder or connect hose and turn on valve at remote cylinder.
- "PILOT" position not properly aligned – turn gas control knob to "PILOT" position and depress.
- Pilot is blocked from spider web or dirt – clean pilot, see MAINTENANCE.

If Pilot flame does not stay lit when knob is released.

CHECK

- Control knob in "PILOT" position not completely depressed or held in long enough to purge air from lines.
- Pilot flame not surrounding thermocouple – clean pilot, see MAINTENANCE.
- Pilot Assembly defective – replace.
- Tip switch wires disconnected – connect.

If Main burner does not ignite.

CHECK

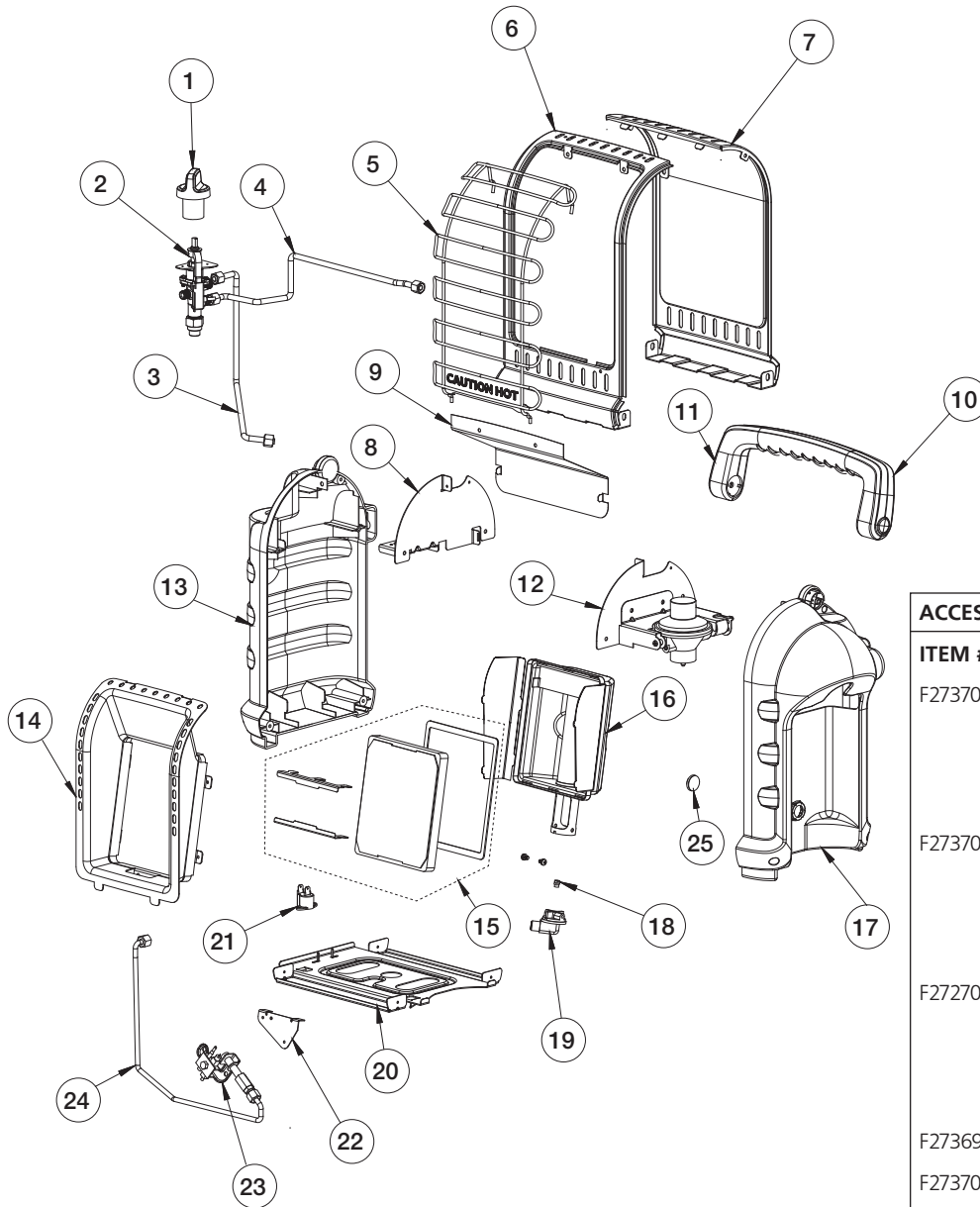
- Main burner orifice is blocked – clean burner, see MAINTENANCE.

If Heater keeps shutting "OFF" during normal operation.

CHECK

- Pilot is blocked – clean pilot, see MAINTENANCE.
- Provide minimum fresh air opening of 9 square inches (example 3" x 3" opening).
- Tip over switch activated from bumping heater. Re-light
- Regulator defective - Replace regulator.
- Internal contamination - Replace control valve and regulator.
- Call Technical Services for additional information.

Mr. Heater • Portable Propane Heater • Model # MH9BX



ACCESSORIES:

ITEM #	DESCRIPTION
F273701	5 ft. PROPANE HOSE ASSEMBLY (Swivel 1"-20 Male Throwaway Cyl. Thd. X P.O.L. w/Handwheel) (Recommended use with fuel filter.)
F273702	12 ft. PROPANE HOSE ASSEMBLY (Swivel 1"-20 Male Throwaway Cyl. Thd. X P.O.L. w/Handwheel) (Recommended use with fuel filter.)
F272702	12 ft. PROPANE HOSE ASSEMBLY (Swivel 1"-20 Male Throwaway Cyl. Thd. X P.O.L. w/Handwheel) (Recommended use with fuel filter.)
F273699	Fuel Filter (Replace Annually)
F273704	10 ft. BUDDY-SERIES HOSE ASSEMBLY (Fuel filter not required)

REPLACEMENT PARTS LIST:

No.	Part#	Description	No.	Part#	Description	No.	Part#	Description
1.	32017	Knob, Valve, Safety, Red	8.	32027	Brkt, Valve	17.	33090	Housing, Right, Plastic, Gray
	32019	Knob, Valve, Safety, Green	9.	32028	Heat, Shield		33091	Housing, Right, Plastic, Black
2.	32054	Valve, Assy, Control	10.	32016	Handle, Back, Plastic, Gray	18.	32068	Orifice, Assy with O-Ring
3.	32056	Tube, Burner, Main		32074	Handle, Back, Plastic, Black	19.	32052	Orifice, Holder
4.	32053	Tube, Inlet, Assy	11.	32014	Handle, Front, Plastic, Gray	20.	32023	Floor, Panel, Metal
5.	32051	Guard, Wire		32072	Handle, Front, Plastic, Black	21.	73403	Switch, Tipover
	32061	Guard, Wire, Heavy	12.	75198	Assy, Regulator, w/Support	22.	32046	Brkt, ODS (Oxygen Depletion Sensor)
6.	33092	Panel, Front, Metal, Red	13.	32080	Housing, Left, Plastic, Gray	23.	73404	ODS, Pilot, Assy
	33094	Panel, Front, Metal, Yellow		32085	Housing, Left, Plastic, Black	24.	32057	Tube, Pilot, Assy
	33093	Panel, Front, Metal, Green	14.	32021	Reflector, Metal	25.	32067	Magnet, Tank
7.	75192	Panel, Back, Metal, w/32004, Red	15.	33088	Tile, Replacement Kit, MH9BX			
	75194	Panel, Back, Metal, w/32004, Yellow	16.	32032	Burner, Assy			
	75196	Panel, Back, Metal, w/32004, Green						



OPERATING INSTRUCTIONS AND OWNER'S MANUAL

Model #

MH9BX

WARNING:

USE ONLY MANUFACTURER'S REPLACEMENT PARTS. USE OF ANY OTHER PARTS COULD CAUSE INJURY OR DEATH. REPLACEMENT PARTS ARE ONLY AVAILABLE DIRECT FROM THE FACTORY AND MUST BE INSTALLED BY A QUALIFIED SERVICE AGENCY. MR. HEATER HOSES **F273701**, **F273702** AND **F272702** ARE SPECIFICALLY DESIGNED FOR USE WITH THIS HEATER ALONG WITH **F273699** DISPOSABLE FUEL FILTER (REPLACE ANNUALLY). USE OF OTHER HOSES MAY CAUSE THE HEATER TO BECOME INOPERABLE. USE BUDDY SERIES HOSE NO. **F273704**, FUEL FILTER IS NOT REQUIRED.

WARNING:

THIS PRODUCT IS A HEATER. IT IS CERTIFIED TO CSA INTERNATIONAL REQUIREMENT SECTION 4.98, "GAS FIRED PORTABLE HEATERS FOR RECREATIONAL OR COMMERCIAL USE." THIS PRODUCT IS **NEVER** TO BE USED FOR THE COOKING OR WARMING OF FOODS AS DOING SO CAN INTERFERE WITH THE SAFETY SYSTEMS OF THE HEATER, WHICH MAY RESULT IN A FIRE, EXPLOSION, THE PRODUCTION OF DEADLY CARBON MONOXIDE, AND PERSONAL INJURY OR DEATH TO YOU OR OTHERS. **NEVER** USE HAND-MADE OR THIRD PARTY ACCESSORIES OR ATTACHMENTS WITH THIS HEATER; THIS IS EXTREMELY DANGEROUS AND MAY RESULT IN PERSONAL INJURY OR DEATH TO YOU OR OTHERS.

PARTS ORDERING INFORMATION:

PURCHASING: Accessories may be purchased at any Mr. Heater local dealer or direct from the factory

FOR INFORMATION REGARDING SERVICE

Please call Toll-Free 800-251-0001
www.mrheater.com

Our office hours are 8:00 AM – 5:00 PM, EST, Monday through Friday.

Please include the model number, date of purchase, and description of problem in all communication.

LIMITED WARRANTY

Mr. Heater, Inc. warrants its heaters and accessories to be free from defects in material and workmanship for a period of 1 year from date of purchase. Mr. Heater, Inc. will repair or replace this product free of charge if it has been proven to be defective within the 1-year period, and is returned at customer expense with proof of purchase to Mr. Heater, Inc. within the warranty period. **DISCLAIMER:** This warranty does not cover any product that: a) has been subject to misuse or neglect; b) has been used in a manner inconsistent with the warnings and instructions contained in the owner's manual, including but not limited to using a heater for the cooking or warming of foods; or c) has been used with hand-made or third party accessories or attachments. This warranty gives you specific legal rights, and you may also have other rights which vary from state to state.

Mr. Heater, Inc. reserves the right to make changes at any time, without notice or obligation, in colors, specifications, accessories, materials and models.

PRODUCT REGISTRATION: Thank you for your purchase.
Please log in to <http://www.egiregistration.com> to register your product.

MR. HEATER, INC., 4560 W. 160TH ST., CLEVELAND, OHIO 44135 • 800-251-0001
Mr. Heater and Portable Buddy are registered trademarks of Enerco Group, Inc.
© 2017, Enerco/Mr. Heater. All rights reserved



Certificación CSA 4.98 EE.UU.

INSTRUCCIONES DE OPERACIÓN Y MANUAL DE USUARIO



PORTABLE BUDDY RADIANT HEATER

Modelo #

MH9BX

LEA CUIDADOSAMENTE LAS INSTRUCCIONES: Lea y siga todas las instrucciones. Coloque las instrucciones en un lugar seguro para referencias futuras. No permita que nadie que no haya leído estas instrucciones ensamble, encienda, ajuste u opere el calentador.

CALENTADOR PORTÁTIL DE PROPANO
PARA RECREATIVAS,
COMERCIAL Y
EMERGENCIA USO INTERIOR

PARA LA VENTA US, EXCEPTO EN
MASSACHUSETTS

Utilice únicamente accesorios de marca
Mr. Heater (Ver página 8 para obtener
información de ADVERTENCIA)

IDIOMAS INCLUIDOS:

- INGLÉS
- ESPAÑOL



ADVERTENCIA: Si no se sigue la información en este manual exactamente, puede ocurrir un incendio o una explosión causando daños a la propiedad, lesiones personales o la muerte.

- No almacene ni utilice gasolina ni ningún otro vapor o líquido inflamable cerca del calentador ni de ningún otro artefacto.
- No deberá almacenar cerca del calentador ni de ningún otro artefacto un cilindro de PL no conectado para su uso.
- QUE HACER SI DETECTA OLOR A GAS
 - No intente encender el artefacto.
 - Extinga cualquier llama abierta.
 - Corte el flujo de gas al artefacto.
- La reparación debe ser realizada por una agencia de reparación calificada.

Éste es un calentador portátil con fuego a gas sin ventilación que toma el aire (oxígeno) del área donde es utilizado. Se debe proporcionar combustión y ventilación adecuadas. Consulte la página 3.

ADVERTENCIA:

⚠ Cada vez que se conecte una manguera o tanque a la unidad, la conexión debe ser revisada de diferentes maneras para detectar posibles fugas: Aplíquese agua jabonosa a la conexión, observe si hay burbujas, si escucha ruidos de escape de gas, si se siente frío extremo o si huele a huevo podrido. ¡No lo utilice si presenta fugas!

ADVERTENCIA:

⚠ Cualquier cambio a este calentador o a sus controles puede ser peligroso.

ADVERTENCIA:

⚠ NO UTILICE ESTE CALENTADOR EN INTERIORES si el sitio cerrado, recreativo o comercial, no tiene ventana o ventilación en el techo. **EL ESTADO DE CALIFORNIA EXIGE LA SIGUIENTE ADVERTENCIA:** La combustión generada cuando se utiliza este producto contiene monóxido de carbono, un químico conocido en el estado de California reconoce como causante de cáncer y malformaciones congénitas (u otros daños reproductivos).

Este producto contiene sustancias químicas que el Estado de California que causa cáncer y defectos de nacimiento u otros daños reproductivos.

AVISO: No debe utilizarse en una "casa de vivienda" en California.

ADVERTENCIA:

⚠ NO UTILICE ESTE CALENTADOR EN INTERIORES si el sitio cerrado, recreativo o comercial, no tiene ventanas o ventilación en el techo.

ADVERTENCIA:

⚠ Los síntomas tempranos de envenenamiento por monóxido de carbono se asemejan a los síntomas de la gripe, como por ejemplo dolor de cabeza, mareos y/o náuseas. Si usted tiene cualquiera de estos síntomas, es posible que el calentador no esté funcionando correctamente. ¡Ventile con aire puro inmediatamente! Haga reparar el calentador.

CONTENIDO

Instrucciones generales de seguridad	2
Olor Descolora Advertencia	3
Información general	4
Cómo manipular cilindros de propano descartables	4
Cómo manipular mangueras conectadas a cilindros remotos.	5
Mantenimiento	5
Solución de problemas	6
Lista de partes	7
Información para el pedido de partes	8
Información para la reparación	8

ESPECIFICACIONES

MODELO N°	MH9B
TIPO DE GAS	PROPANO
ENTRADA EN BTU/HR	4.000/9.000

MARGEN PARA LOS COMBUSTIBLES

ARRIBA	76,2 cm
AL FRENTE	61,0 cm
A LOS LADOS	15,24 cm
REVERSO	0"

Precaución:

- Cuando utilice el calentador en altitudes más de de 7.000 metros sobre el mar nivelar el calentador puede apagar. (Por favor, lea la información general)
- Algunas alfombras o superficies del linóleo pueden descolorarse si el calentador se coloca directamente en estas cubiertas de piso.

INSTRUCCIONES GENERALES DE SEGURIDAD

ESTE ES UN ARTEFACTO QUE EMITE CALOR. NO OPERE ESTE ARTEFACTO SIN HABER INSTALADO LA REJILLA PROTECTORA FRONTAL. NO INTENTE CALENTAR O COCINAR EL ALIMENTO EN ESTE CALENTADOR.

- No use accesorios no aprobados en este calentador.
- Debido a las altas temperaturas, se debe ubicar el artefacto lejos de lugares de paso y de materiales combustibles.
- Se debe alertar a niños y adultos del riesgo de las altas temperaturas en la superficie y deben mantenerse alejados para evitar quemaduras en el cuerpo o de la ropa.
- Se debe supervisar cuidadosamente a los niños pequeños cuando están cerca del artefacto.
- La parrilla protectora en el frente de este calentador es cubierta de una temperatura alta especial resistente pintura. Cuando el calentador es usado por primera vez, la parrilla puede emitir humo sensible o vapores. Este es normal y no ocurrirá durante usos subsecuentes. Los vapores no son dañosos.
- No coloque ropa ni ningún otro material inflamable sobre o cerca del artefacto.
- No opere el calentador en ningún vehículo en movimiento.
- Este calentador puede ser utilizado únicamente en sitios recreativos o comerciales cerrados que tengan ventanas o ventilación en el techo. También puede ser utilizado al aire libre.
- Este calentador requiere un área de ventilación mínima de 58,06 centímetros cuadrados (por ejemplo: una abertura de 7,62 cm x 7,62 cm) para una ventilación adecuada durante su funcionamiento. No utilice en interiores otros artefactos que requieran combustión.
- LA PRESIÓN DE GAS DEL CALENTADOR ES REGULADA Y FIJA A 11 pulgadas en columna de agua. ¡CUANDO SE UTILIZA UNA CONEXIÓN DE MANGUERA REMOTA, NO REGULE NI REDUZCA LA PRESIÓN DE SUMINISTRO DEL TANQUE DE PROPANO AL CALENTADOR!
- EL REGULADOR DEL CALENTADOR DEBE ESTAR SIEMPRE EN SU LUGAR DURANTE EL FUNCIONAMIENTO.
- Si la guardia de alambre es quitada para la revisión, debe ser sustituido antes del funcionamiento del calentador.

- El artefacto deberá ser inspeccionado antes de cada uso. Es posible que una limpieza frecuente sea necesaria. El control de los compartimientos, el quemador y los pasos de aire en circulación a través de los conductos del artefacto deben mantenerse limpios, ver la sección de MANTENIMIENTO.
- NO utilice este calentador si alguna parte ha estado sumergida en agua. Llame inmediatamente a un técnico de reparación calificado para que inspeccione el calentador y reemplace cualquier parte del sistema de control y cualquier control de gas, que haya estado sumergido en agua.
- Cuando se lo utiliza sin la combustión y ventilación de aire adecuadas, este calentador puede emanar excesivo MONÓXIDO DE CARBONO, un gas venenoso e inodoro.
- Algunas personas – mujeres embarazadas, personas que sufren enfermedades cardíacas o pulmonares, anemia, aquéllas que están bajo la influencia del alcohol, las que están a altas altitudes – se ven más afectadas por el monóxido de carbono que otras.
- Cuando coloque el calentador en el piso, asegúrese de que la superficie esté nivelada y mantenga cualquier objeto a por lo menos 61 centímetros desde la parte frontal del calentador. ESTE CALENTADOR ESTÁ EQUIPADO CON UN INTERRUPTOR DE SEGURIDAD QUE HARÁ QUE EL CALENTADOR SE APAGUE SI SE DA VUELTA, SIN EMBARGO, NO DEJE EL CALENTADOR SIN SUPERVISIÓN O DONDE NIÑOS PUEDAN HACER QUE EL CALENTADOR SE VUELQUE.

OLOR DESCOLORA ADVERTENCIA

ADVERTENCIA



Riesgo de Asfixia

- No use en áreas no ventiladas.
- El flujo de combustión y aire de ventilación no debe ser obstruido.
- El aire de ventilación apropiado debe ser proporcionado para apoyar las exigencias de aire de combustión del calentador usado.
- Refiérase a la sección de especificación del manual del calentador, calentador dataplate, o póngase en contacto con la fábrica para determinar exigencias de ventilación de aire de combustión del calentador.
- La carencia del aire de ventilación apropiado conducirá a la combustión impropia.
- La combustión impropia puede conducir al envenenamiento de monóxido de carbono que conduce a herida seria o muerte. El síntoma del envenenamiento de monóxido de carbono puede incluir dolores de cabeza, mareo y dificultad en la respiración.

ABASTEZCA DE COMBUSTIBLE OLOR DE GAS

El LP gas de gas y natural tiene man-made odorants añadido expresamente para el descubrimiento de agujeros de gas de combustible.

Si un agujero de gas ocurre que usted debería ser capaz de oler el gas de combustible. Ya que el Propano (LP) es más pesado que el aire que usted debería oler para el olor de gas bajo al suelo. ¡CUALQUIER OLOR DE GAS ES SU SEÑAL ENTRAR EN LA ACCIÓN INMEDIATA!

- No tome ninguna acción que podría encender el gas de combustible. No haga funcionar ningún interruptor eléctrico. No tire ningún suministro de energía o cuerdas de extensión. No encienda partidos o ninguna otra fuente de la llama. No use su teléfono.
- Consiga a cada uno del edificio y lejos del área

inmediatamente.

- Cierre todo el propano (LP) tanque de gas o válvulas de suministro de combustible de cilindro, o la válvula de suministro de combustible principal localizada en el metro si usted usa el gas natural.
- Propano (LP) el gas es más pesado que el aire y puede instalarse áreas bajas. Cuando usted tiene la razón de sospechar un agujero de propano, consérvese de todas las áreas bajas.
- Use el teléfono de su vecino y llame su proveedor de gas de combustible y su cuerpo de bomberos. No entre de nuevo en el edificio o el área.
- Permanencia del edificio y lejos del área hasta caja fuerte declarada por los bomberos y su proveedor de gas de combustible.
- FINALMENTE, deje a la persona de servicio de gas de combustible y el control de bomberos para el gas evitado. Hacen que ellos aireen el edificio y el área antes de que usted vuelva. La gente de servicio correctamente entrenada debe reparar cualquier agujero, comprobar salidas adicionales, y luego encender la aplicación para usted.

OLOR QUE DESCOLORA - NINGÚN OLOR DESCUBIERTO

- Algunas personas no pueden oler bien. Algunas personas no pueden oler el olor de las sustancias químicas man-made añadidas al propano (LP) o gas natural. Usted debe determinar si usted puede oler el odorant en estos gases de combustible.
- Aprenda a reconocer el olor de propano (LP) gas de gas y natural. El propano local (LP) distribuidores de gas será más que feliz darle el folleto de aspiración y un rasguño. Úselo para hacerse familiar con el olor de gas de combustible.
- Fumar puede disminuir su capacidad de oler. Estar alrededor de un olor para el periodo del tiempo puede afectar su sensibilidad frente a aquel olor particular. El presente de olores en edificios de confinamiento de animal puede enmascarar el olor de gas de combustible.
- **El odorant en el propano (LP) el gas de gas y natural es incoloro y la intensidad de su olor puede descolorarse en algunas circunstancias.**
- Si hay un agujero subterráneo, el movimiento de gas por el suelo puede filtrar el odorant.
- El propano (LP) olor de gas puede diferenciarse en la intensidad en niveles diferentes. Desde el Propano (LP) el gas es más pesado que el aire, puede haber más olor en niveles inferiores.
- **Siempre esté sensible al olor de gas más leve.** Si usted sigue descubriendo algún olor de gas, no importa como pequeño, trátelo como un agujero serio. Inmediatamente entre en la acción como hablado antes.

¡ATENCIÓN - PUNTOS CRÍTICOS PARA RECORDAR!

- El propano (LP) gas tiene un olor distintivo. Aprenda a reconocer estos olores. (Combustible de Referencia Olor de Gas y Olor que Descolora secciones encima.
- Incluso Si usted no es la propiedad entrenada en el servicio y la reparación del calentador, SIEMPRE ser

conscientemente consciente de los olores de propano (LP) el gas de gas y natural.

- Si usted no ha sido correctamente entrenado en reparación y servicio de propano (LP) el gas entonces no intenta encender el calentador, realizar servicio o reparaciones, o hacer cualquier ajuste al calentador en el propano (LP) sistema de combustible de gas.
- Una aspiración periódica prueba alrededor del calentador o en las uniones del calentador; es decir la manguera, las uniones, etc., es una práctica de seguridad buena en cualquier condición. Si usted huele hasta una pequeña cantidad de gas, póngase en CONTACTO CON SU PROVEEDOR DE GAS DE COMBUSTIBLE INMEDIATAMENTE. ¡NO ESPERE!

INFORMACIÓN GENERAL:

- Este calentador es seguro para el uso de interior en pequeños recintos recreacionales, teniendo medios para proporcionar el aire de combustión y la ventilación, como pórticos incluidos, cabinas, chozas de pesca, remolques, remolques de tienda de campaña, tiendas de campaña, gorras de camión y furgonetas. Puede ser utilizado para la calefacción de emergencia interior cuando está conectado a un cilindro de propano desechable 1 lb y para uso en interiores en recintos comerciales, que tiene medios para proporcionar aire de combustión y la ventilación, tales como la construcción de remolques o recintos de trabajo temporal.

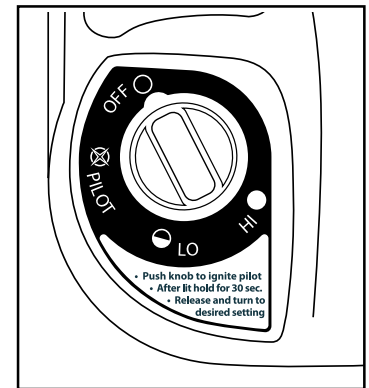
Nota: El calentador se puede utilizar al aire libre pero puede experimentar cerrados fastidio en ciertas condiciones del viento

- Cuando el calentador está frío o a temperatura ambiente, el azulejo del quemador demorará unos pocos minutos en tornarse anaranjado brillante. Esto es normal y el calentador está funcionando correctamente. Si el azulejo del quemador tiene llamas visibles, apague el calentador y llame a un técnico de reparación calificado.
- Cuando la unidad está encendida, debe haber un borde de aproximadamente 6,35 milímetros alrededor del azulejo que no se tornará anaranjado brillante. Esto es normal.
- Cuando opere el calentador por primera vez, es posible que el área superior del reflector se decolore. Esto también es normal y no es motivo de preocupación.
- **Cuando ponga en funcionamiento el calentador a altitudes superiores a los 2.133,6 M sobre el nivel del mar, es posible que la unidad no queme de forma tan brillante como en altitudes más bajas. Esto es normal. A altitudes más altas, es posible que el calentador se apague. Si esto sucede, suministre aire puro, espere cinco 5 minutos y encienda de nuevo. Debido a las condiciones atmosféricas locales, es posible que el calentador no encienda de nuevo.**
- El tiempo de operaciones variará según el ajuste de calentador y el tamaño de cilindro de suministro. Hasta 3 a 6 horas en 1 libra. cilindro. Hasta 48 a 110 horas en 20 libras. cilindro (basado en "HOLA" y ajustes "de LO"). Debido a las propiedades de gas de LP, los tiempos de ejecución pueden ser considerablemente reducidos haciendo funcionar continuamente en temperaturas abajo 20°F. El uso de un tanque de 20 libras es recomendado en estas condiciones.
- Cuando mueva el calentador encendido o cuando lo golpee o cuando lo asiente, el interruptor de seguridad puede apagar el calentador. Si esto sucede, enciéndalo de nuevo.
- Debido al funcionamiento natural de tanques pequeños, es posible que se forme condensación en el tanque y comiencen a caer gotas en la superficie debajo del calentador.

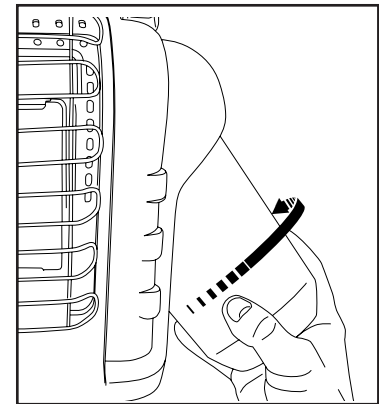
INSTRUCCIONES DE OPERACIÓN/ENCENDIDO PARA USAR CON CILINDROS DE PROPANO DESCARTABLES DE 0,45 KG:

ADVERTENCIA: Siempre inspeccione el cilindro de propano y las conexiones de suministro de propano al calentador para detectar daños, suciedad y residuos antes de conectar el cilindro de propano. No lo utilice si la cabeza del cilindro está dañada, perforada o deteriorada. SIEMPRE CONECTE O DESCONECTE LOS CILINDROS EN EL EXTERIOR, LEJOS DE LAS LLAMAS, OTRAS FUENTES DE IGNICIÓN Y SOLAMENTE CUANDO EL CALENTADOR ESTÉ FRÍO AL TACTO. NO FUME CUANDO CONECTE O DESCONECTE UN CILINDRO DE PROPANO O CUANDO HAGA CONEXIONES REMOTAS.

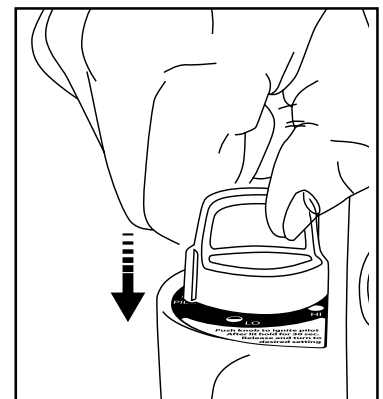
- Utilice solamente cilindros de gas PL marcados en conformidad con el Departamento de Transporte de los EE.UU. (DOT, por sus siglas en inglés).
- Utilice solamente cilindros descartables de 0,45 kg compatibles con la conexión de válvula N° 600.
- El calentador y el cilindro conectado deben estar en una posición vertical durante su funcionamiento.
- Asegúrese de que la perilla de control de cuatro posiciones esté en la posición "OFF" (apagado); ver la Figura 1.
- Gire el regulador externo para la instalación de tanque fácil. Tornillo 1 libra. cilindro de suministro de gas de LP disponible dextrórum (de fondo) en calentador portátil hasta de mano apretado. No use el sellador de hilo en esta union. ; ver la Figura 2.
- Revise la conexión del cilindro en busca de fugas con agua jabonosa en la conexión roscada debajo de la cubierta plástica en forma de cúpula donde el cilindro se atornilla al regulador. VER LA ADVERTENCIA EN LA CUBIERTA PLÁSTICA.
- Ligeramente deprima y gire el Botón de Control en contrario para "PILOTAR" la posición, totalmente deprimir para encender a piloto y asimiento durante 30-60 segundos. Repita hasta pilotos. Ver la Figura 2.
- Si el calentador no se enciende, domine durante



La figura 1: "de" posición.



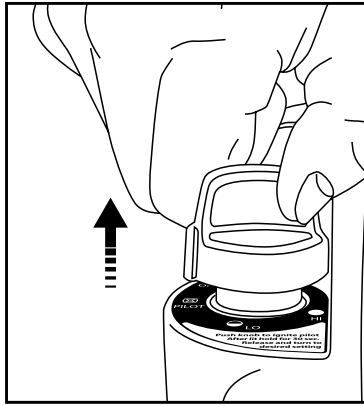
La figura 2: Ate el depósito de combustible



La figura 3: Ignición

aproximadamente 30 segundos; la liberación y deprime otra vez. Repita hasta pilotos.

- Después de pilotos, domine para 30-60 segundos y luego libere la perilla. La perilla debería volver a la posición totalmente ampliada; ver la Figura 4. Hacer funcionar calentador ligeramente deprimen la perilla y suavemente dan vuelta para cerrarse en "el HOLA" posición para encender el azulejo de quemador. El permiso en "HOLA" la posición hasta el azulejo de quemador gira la naranja brillante.
- después de Que el azulejo de quemador ha girado la naranja brillante, ajuste la salida de calor girando el Botón de Control a la posición deseada ("LO" "O HOLA" poniéndose)



La figura 4: perilla de liberación.

Advertencia:

! NO OPERE EL CALENTADOR A MENOS QUE LA PERILLA DE CONTROL ESTÉ SEGURA EN UNA POSICIÓN MARCADA "HI" (ALTA), "LO" (BAJA) O "PILOT" (PILOTO). NO COLOQUE NUNCA LA PERILLA DE CONTROL ENTRE LAS POSICIONES MARCADAS. PODRÍA CAUSAR COMBUSTIÓN ESCASA O NIVELES MÁS ALTOS DE MONÓXIDO DE CARBONO.

- Para apagar el calentador, presione levemente la perilla de control hacia adentro y gírela en sentido horario hasta la posición "OFF" (apagado).
- **PRECAUCIÓN:** Después de apagar el calentador, la rejilla protectora permanecerá caliente. Deje enfriar por completo antes de guardar.
- No manipule, guarde ni retire el cilindro cerca de objetos inflamables o fuentes de ignición.
- ¡LOS CILINDROS DE GAS PL DEBEN SER DESCONECTADOS DEL CALENTADOR CUANDO NO ESTÉN EN USO!

INSTRUCCIONES DE OPERACIÓN/ ENCENDIDO PARA USO CON MANGUERA CONECTADA A UN CILINDRO REMOTO, CON DIMENSIÓN MÁXIMA DE 9 KG:

- Este Calentador puede ser usado en un recinto recreacional o recinto de trabajo de construcción temporal con un cilindro de propano refillable remoto SÓLO cuando el cilindro es localizado al aire libre y el Calentador es usado con Sr. Heater Hose el No **F273701**, **F273702** o **F272702** y el combustible filtran **F273699**. El filtro de combustible debe ser sustituido anualmente. O uso manguera de serie de Compinche de **F273704**. Filtro de combustible no requerido.
- PELIGRO: No lleve NUNCA un cilindro de propano reutilizable a espacios cerrados. Puede ocurrir un incendio o una explosión causando daños a la propiedad, heridas graves o la muerte.
- Inspeccione la manguera antes de cada uso del calentador. En caso de abrasión o desgaste excesivos, o si la manguera está cortada, reemplácela antes de usar el calentador con una de las mangueras Mr. Heater con la numeración indicada arriba.
- El cilindro de propano debe incluir un dispositivo de protección para sobrellenado listado, así como también un anillo para proteger la válvula del cilindro.
- El calentador debe estar en posición vertical durante el funcionamiento.

- Asegúrese de que la perilla de control de cuatro posiciones esté en la posición "OFF" (apagado); ver la Figura 1, a la izquierda.
- Regulador de giro hacia el exterior para la instalación de la manguera fácil. A continuación, el tornillo conector de la manguera al regulador en el calentador y el tornillo del conector en el otro extremo de la manguera en la válvula de suministro de gas LP del cilindro. Apriete todas las conexiones de la manguera. No use el sellador de hilo en cualquiera de estas uniones.
- Mr. Heater enfáticamente recomienda utilizar filtros de combustible descartables **F273699** para atrapar cualquier sustancia de aceite cuando se conecte a un cilindro remoto que pueda hacer que el calentador no funcione.
- Abra la válvula en el cilindro de suministro de gas PL.
- Revise todas las conexiones de las mangueras en busca de fugas con agua jabonosa en la conexión roscada debajo de la cubierta plástica en forma de cúpula donde el conector de la manguera se enrosca al regulador y al cilindro de suministro de gas PL. VER LA ADVERTENCIA EN LA CUBIERTA PLÁSTICA.
- Presione y gire la perilla de control en sentido horario hasta la posición "PILOT" (piloto) y manténgala presionada durante 1 - 2 minutos. Esto puede llevar más tiempo para purgar el aire desde la manguera de suministro según la longitud de la manguera que se esté usando.
- Ligeramente deprima y gire el Botón de Control en contrario para "PILOTAR" la posición, totalmente deprimir para encender a piloto y asimiento durante 30-60 segundos. Repita hasta pilotos. Ver la Figura 2.
- Si el calentador no se enciende, domine durante aproximadamente 30 segundos; la liberación y deprime otra vez. Repita hasta pilotos.
- Después de pilotos, domine para 30-60 segundos y luego libere la perilla. La perilla debería volver a la posición totalmente ampliada; ver la Figura 4. Hacer funcionar calentador ligeramente deprimen la perilla y suavemente dan vuelta para cerrarse en "el HOLA" posición para encender el azulejo de quemador. El permiso en "HOLA" la posición hasta el azulejo de quemador gira la naranja brillante.
- después de Que el azulejo de quemador ha girado la naranja brillante, ajuste la salida de calor girando el Botón de Control a la posición deseada ("LO" "O HOLA" poniéndose)

! **Precaución:** No intente ajustar los niveles de calor utilizando la válvula de cierre del tanque de propano.

Advertencia:

! NO OPERE EL CALENTADOR A MENOS QUE LA PERILLA DE CONTROL ESTÉ SEGURA EN UNA POSICIÓN MARCADA "HI" (ALTA), "LO" (BAJA) O "PILOT" (PILOTO). NO COLOQUE NUNCA LA PERILLA DE CONTROL ENTRE LAS POSICIONES MARCADAS. PODRÍA CAUSAR COMBUSTIÓN ESCASA O NIVELES MÁS ALTOS DE MONÓXIDO DE CARBONO.

- **Para apagar el calentador, corte el propano del tanque de suministro, deje que el calentador consuma el propano en la línea de suministro hasta que se apague, luego presione levemente la perilla de control hacia adentro y gírela en sentido horario hasta la posición "OFF" (apagado).**
- **PRECAUCIÓN:** Después de apagar el calentador, la rejilla protectora permanecerá caliente. Deje enfriar por completo antes de guardar.
- Cuando no esté en uso, se debe apagar el gas del cilindro de suministro de gas PL. Como se mencionó anteriormente, deje que el calentador consuma el propano en la línea de suministro hasta que se apague. Cuando el cilindro de suministro de gas PL no está desconectado del calentador, tanto el calentador como el cilindro deben almacenarse en el exterior, en un espacio bien ventilado, fuera del alcance de los niños, y no debe almacenarse en ningún edificio, garaje ni en ninguna otra área cerrada.
- El almacenamiento del calentador en interiores está permitido

sólo si se desconecta el cilindro y se lo retira del calentador. Los cilindros deben almacenarse en el exterior fuera del alcance de los niños y no deben almacenarse en ningún edificio, garaje ni en ninguna otra área cerrada.

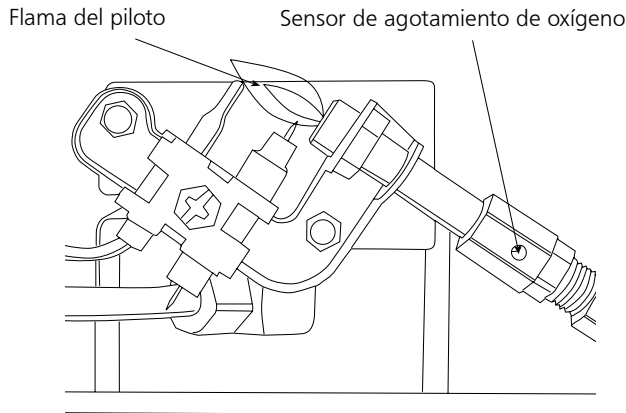


Figura 2

MANTENIMIENTO:

Siempre mantenga el área del calentador despejada y libre de materiales combustibles, gasolina y otros líquidos y vapores inflamables.

Mantenga las áreas de ventilación (las ranuras en la parte inferior y superior en el frente del calentador) despejadas todo el tiempo.

Inspeccione visualmente la llama del piloto y el quemador periódicamente durante su uso. La llama del piloto debe ser de color azul (no amarilla) y debe extenderse más allá de la termocupla. La llama rodeará la termocupla justo debajo de la punta. Ver Figura 2, arriba. Una llama levemente amarilla puede ocurrir cuando la llama del piloto y la del quemador principal se encuentran. El quemador debería ser anaranjado brillante (con un leve color azul alrededor del borde y una bruma roja-anaranjada que es visible en el azulejo de cerámica es aceptable) y sin una llama muy notable. Una llama azul que sobresale de la parte superior del azulejo de cerámica indica una acumulación de polvo, pelusas o telarañas dentro del ensamble de la carcasa y del quemador principal. Si el piloto es amarillo o el quemador tiene una llama notable, es posible que sea necesaria una limpieza. Utilice los siguientes procedimientos para inspeccionar el ensamble de la carcasa y del quemador principal. Es necesario revisar periódicamente el orificio del quemador y el tubo venturi del quemador para asegurarse de que están libres de insectos, nidos o telarañas que pueden acumularse con el tiempo. Un tubo obstruido puede generar un incendio.

Si el piloto es amarillo o el quemador tiene una llama notable, es posible que sea necesaria una limpieza. Utilice los siguientes procedimientos para inspeccionar el ensamble de la carcasa y del quemador principal. Es necesario revisar periódicamente el orificio del quemador y el tubo venturi del quemador para asegurarse de que están libres de insectos, nidos o telarañas que pueden acumularse con el tiempo. Un tubo obstruido puede generar un incendio.

- 1 Deje que el calentador se enfríe completamente antes de realizar cualquier tarea de mantenimiento.
- 2 Retire el cilindro descartable de 0,45 kg del calentador o apague (coloque en OFF) el suministro de gas en la válvula del cilindro remoto, y desconecte la manguera del calentador.
- 3 Quite (4) cuatro tornillos que aseguran la tapa trasera al Calentador.
- 4 Tapa de pivote externa de fondo. Liberación de 2 clips superiores. Reservado.
- 5 Quite (4) cuatro quemador que retiene tornillos y línea de combustible de la asamblea de quemador. Quite la asamblea de quemador de la espalda del alojamiento.
- 6 Inspeccione el interior del ensamble de la carcasa para detectar acumulación de polvo, pelusas o telarañas. De ser necesario, limpie el interior del ensamble de la carcasa con una aspiradora o aplique aire a presión. No dañe ninguno de los componentes dentro del ensamble de la carcasa cuando la esté limpiando.

- 7 Inspeccione y limpie el orificio principal del quemador (ubicado en el soporte del piloto con una contratuerca) con una aspiradora o con aire a presión en la abertura del orificio.
- 8 Inspeccione y limpie el piloto (montado en el soporte) con una aspiradora o con aire a presión a través de los orificios en el piloto los cuales se indican con flechas en la Figura 2.
ADVERTENCIA: No utilice nunca agujas, cables ni objetos cilíndricos similares para limpiar el piloto para evitar dañar el rubí calibrado que controla el paso del gas.
- 9 Aplique aire a presión en el azulejo de cerámica del ensamble del quemador y del tubo ventura (con un cono en el extremo) para retirar el polvo, pelusa o telarañas.
- 10 Asegúrese que el ensamble del azulejo del quemador esté completamente ubicado contra el reflector.
- 11 Deslice cuidadosamente el ensamble del quemador en el ensamble de la carcasa asegurándose de centrar la pestaña del reflector con la abertura de la carcasa y mantenga en su lugar mientras enrosca el tornillo del ensamble del quemador a la parte inferior del calentador.
- 12 Instalan de nuevo la línea de combustible y comprueban agujeros.
- 13 Instalan el calentador atrás cubren.

INFORMACIÓN SOBRE LA SOLUCIÓN DE PROBLEMAS:

Si el electrodo de chispas no produce una chispa.

VERIFIQUE SI

El electrodo de chispa roto – sustituye ODS (Sensor de Reducción de Oxígeno).

- Es posible que el cable del encendedor no esté conectado al electrodo de chispas, es posible que el conductor de tierra no esté conectado al armazón - conéctelo.
- El cable del encendedor está dañado - reemplácelo.
- El encendedor piezo tiene fallas - reemplácelo.

Si el electrodo de chispas produce una chispa pero el piloto no enciende.

VERIFIQUE SI

- No hay flujo de gas al calentador – instale un cilindro descartable o conecte la manguera y encienda la válvula en el cilindro remoto.
- La posición "PILOT" (piloto) no está correctamente alineada – gire la perilla de control del gas hasta la posición "PILOT" (piloto) y presione.
- Si el piloto está bloqueado por telarañas o suciedad - limpie el piloto, ver la sección de MANTENIMIENTO.

Si la llama del piloto no permanece prendida cuando suelta la perilla.

VERIFIQUE SI

- La perilla de control, en posición "PILOT" (piloto), no está totalmente presionada o no ha sido presionada el tiempo suficiente como para purgar el aire de las líneas.
- La llama del piloto no rodea la termocupla - limpie el piloto, ver la sección de MANTENIMIENTO.
- Si el ensamble del piloto tiene fallas - reemplácelo.

Los cables del interruptor de seguridad están desconectados - conéctelos. Si el quemador principal no enciende.

VERIFIQUE SI

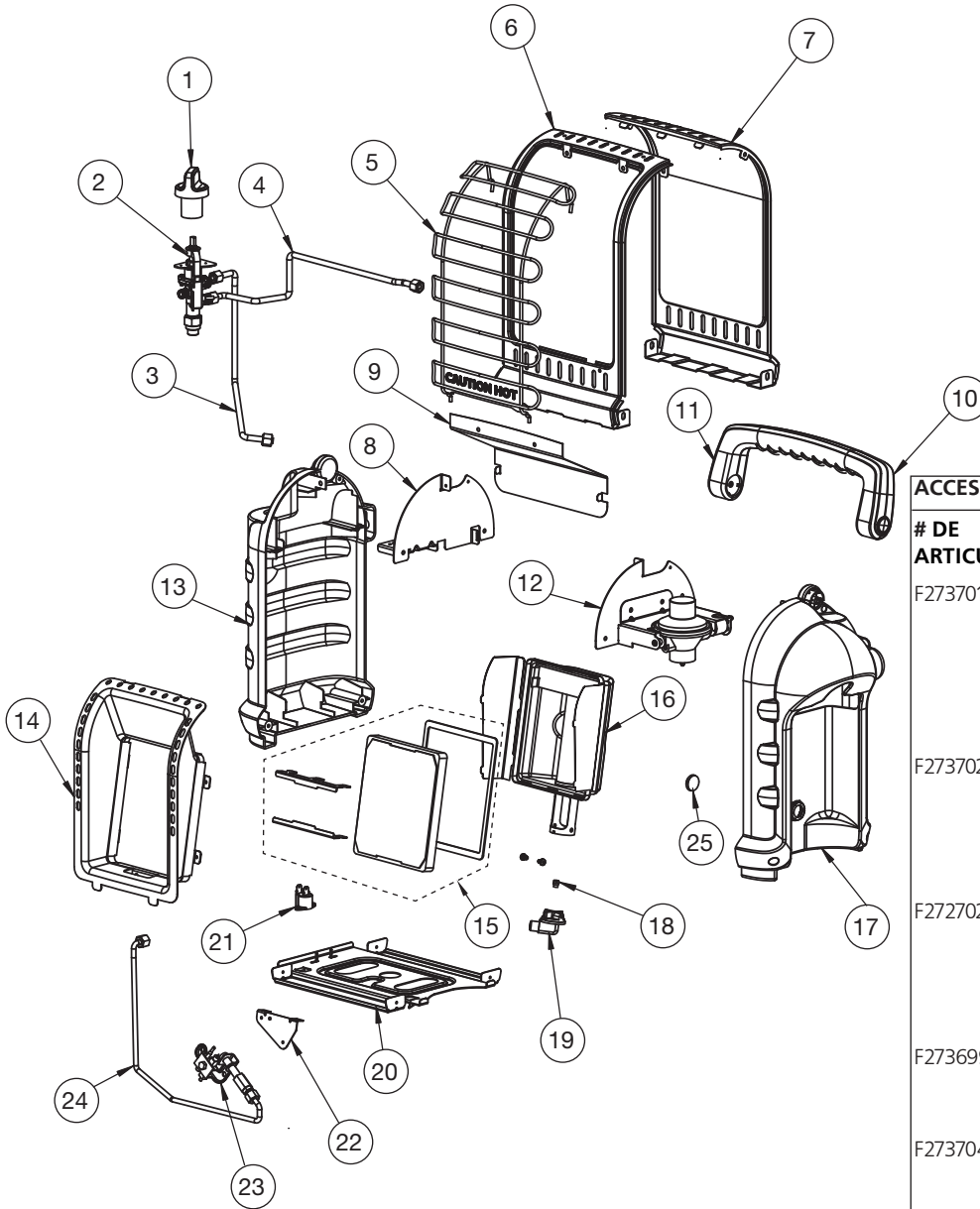
- El orificio del quemador principal está bloqueado – limpie el quemador, ver la sección de MANTENIMIENTO.

Si el calentador sigue "APAGÁNDOSE" durante su funcionamiento normal.

VERIFIQUE SI

- El piloto está bloqueado - limpie el piloto, ver la sección MANTENIMIENTO.
- Suministre una abertura de aire puro mínima de 58,06 centímetros cuadrados (por ejemplo: una abertura de 7,62 cm x 7,62 cm).
- El interruptor de seguridad se activó al golpear el calentador. Enciéndalo de nuevo.
- Regulador defectuoso. Sustituya el regulador
- contaminación Interna - Sustituyen la válvula de control y el regulador.
- Llamen Servicios Técnicos para la información adicional.

Mr. Heater • Calentador de Propano Portátil • Modelo # MH9BX



ACCESORIOS:

# DE ARTICULO	DESCRIPCIÓN
F273701	ENSAMBLE DE LA MANGUERA DE PROPANO de 1,52 metros (Placa giratoria de 1"- Rosca macho del cilindro descartable de 9 kg X conexión POL con rueda manual)
F273702	ENSAMBLE DE LA MANGUERA DE PROPANO (Placa giratoria de 1"- Rosca macho del cilindro descartable de 9 kg X conexión POL con rueda manual)
F272702	ENSAMBLE DE LA MANGUERA DE PROPANO (Placa giratoria de 1"- Rosca macho del cilindro descartable de 9 kg X conexión POL con rueda manual)
F273699	Filtro del combustible (Reemplácelo anualmente)
F273704	10 pies. ENSAMBLAJE DE LA MANGUERA BUDDY-SERIE (filtro de combustible no es necesario)

LISTA DE PARTES:

#DE REF.	#DE ARTICULO	DESCRIPCIÓN
1.	32017	Perilla, Válvula, Seguridad
2.	32054	Válvula, Asamblea, Control
3.	32056	Tubo, Quemador, Principal
4.	32053	Tubo, Entrada, Asamblea
5.	32051	Guardia, Alambre
6.	32092	Panel, Frente, Metal
7.	75192	Panel, detrás, Metal, w/32008
8.	32027	Soporte, Válvula
9.	32028	Calor, Escudo
10.	32016	Mango, detrás, Plástico
11.	32014	Mango, Frente, Plástico
12.	75198	Asamblea de regulador con apoyo
13.	32080	Alojamiento, Izquierdo, Plástico
14.	32021	Reflector, Metal
15.	33088	Azulejos, Kit de sustitución, MH9BX
16.	32032	Quemador, Asamblea
17.	32090	Alojamiento, Derecho, Plástico
18.	32068	Orificio, Asamblea con O-anillo
19.	32052	Orificio, Sostenedor
20.	32023	Suelo, Panel, Metal
21.	73403	Interruptor, Basculante
22.	32046	Soporte, Sistema de Reducción de Oxígeno
23.	78422	Sistema de Reducción de Oxígeno, Piloto, Asamblea
24.	73404	Tubo, Piloto, Asamblea
25.	32067	Imán, Tanque



INSTRUCCIONES DE OPERACIÓN Y MANUAL DE USUARIO

Modelo #

MH9BX

ADVERTENCIA:

- USE SÓLO LOS REPUESTOS DEL FABRICANTE. EL USO DE CUALQUIER OTRO REPUESTO PUEDE CAUSAR LESIONES O LA MUERTE. LOS REPUESTOS SÓLO ESTÁN DISPONIBLES DIRECTAMENTE DE FÁBRICA Y DEBEN SER INSTALADOS POR UNA AGENCIA DE REPARACIÓN CALIFICADA. LAS MANGUERAS MR. HEATER **F273701**, **F273702**, Y **F272702** ESTÁN ESPECÍFICAMENTE DISEÑADAS PARA SER UTILIZADAS CON ESTE CALENTADOR CONJUNTAMENTE CON EL FILTRO DE COMBUSTIBLE DESCARTABLE **F273699**. EL USO DE OTRAS MANGUERAS PUEDE HACER QUE EL CALENTADOR NO FUNCIONE. USO COMPAÑERO DE LA SERIE NÚMERO DE PARTE **F273704** MANGUERA, FILTRO DE COMBUSTIBLE NO SE REQUIERE
- ESTE PRODUCTO ES UN CALENTADOR. SE CERTIFIQUE A CSA INTERNATIONAL SECCIÓN DE REQUISITOS 4.98, "A GAS CALENTADORES PORTÁTILES PARA USO RECREATIVO O COMERCIAL." ESTE PRODUCTO ES NUNCA UTILIZADO PARA LA COCCIÓN O CALENTAMIENTO DE ALIMENTOS YA QUE ESTO PUEDE INTERFERIR CON LOS SISTEMAS DE SEGURIDAD DEL CALENTADOR, QUE PUEDEN RESULTAR EN UN INCENDIO, EXPLOSIÓN, EL PRODUCCIÓN DE MORTAL MONÓXIDO DE CARBONO, Y LESIONES O LA MUERTE A USTED U OTROS. NUNCA USO ARTESANAL O DE TERCERAS PARTES ACCESORIOS O COMPLEMENTOS CON ESTE CALENTADOR; ESTO ES EXTREMADAMENTE PELIGROSO Y PUEDE RESULTAR EN LESIONES O LA MUERTE A USTED U OTROS.

INFORMACIÓN PARA EL PEDIDO DE LAS PARTES:

COMO COMPRAR: Los accesorios se pueden comprar en cualquier tienda local Mr. Heater o directamente de fábrica.

PARA OBTENER INFORMACIÓN SOBRE LA REPARACIÓN

Llame al número gratuito 800-251-0001 o visite www.mrheater.com

Estamos abiertos de lunes a viernes de 8:00 AM – 5:00 PM, hora Este.

Incluya el número del modelo, la fecha de compra y la descripción del problema en todas sus comunicaciones.

GARANTIA LIMITADA

Enerco Group, Inc. garantiza que sus calentadores y accesorios no presentan defectos de material ni de mano de obra por un período de 1 año a partir de la fecha de compra. Enerco Group, Inc. reparará o reemplazará este producto sin cargo si se prueba que presenta falla dentro del plazo de 1 año y es devuelto a Enerco Group, Inc. a cargo del cliente con el comprobante de compra dentro del período de la garantía. Exención de responsabilidad: Esta garantía no cubre ningún producto que: a) ha sido sometido a maltrato o descuido; b) se ha utilizado de manera incompatible con las advertencias e instrucciones contenidas en el manual del usuario, incluyendo, pero no limitado al uso de un calentador para la cocción o calentamiento de alimentos; o c) se ha utilizado con accesorios de terceras partes, hechos a mano o o archivos adjuntos. Esta garantía le otorga derechos legales específicos, y usted también puede tener otros derechos que varían de un estado a otro.

Enerco Group, Inc. se reserva el derecho de realizar cambios en cualquier momento, sin aviso u obligación, en los colores, las especificaciones, los accesorios, los materiales y los modelos.

REGISTRO DE PRODUCTO: Gracias por su compra.
Por favor entre al sistema a <http://www.egiregistration.com> para registrar su producto.

ENERCO GROUP, INC., 4560 W. 160TH ST., CLEVELAND, OHIO 44135 • 800-251-0001
Mr. Heater y Portable Buddy son marcas registradas de Enerco Group, Inc. ©2017, Enerco/Mr. Heater.
Todos los derechos reservados.



Certificación CSA 4.98 EE.UU.